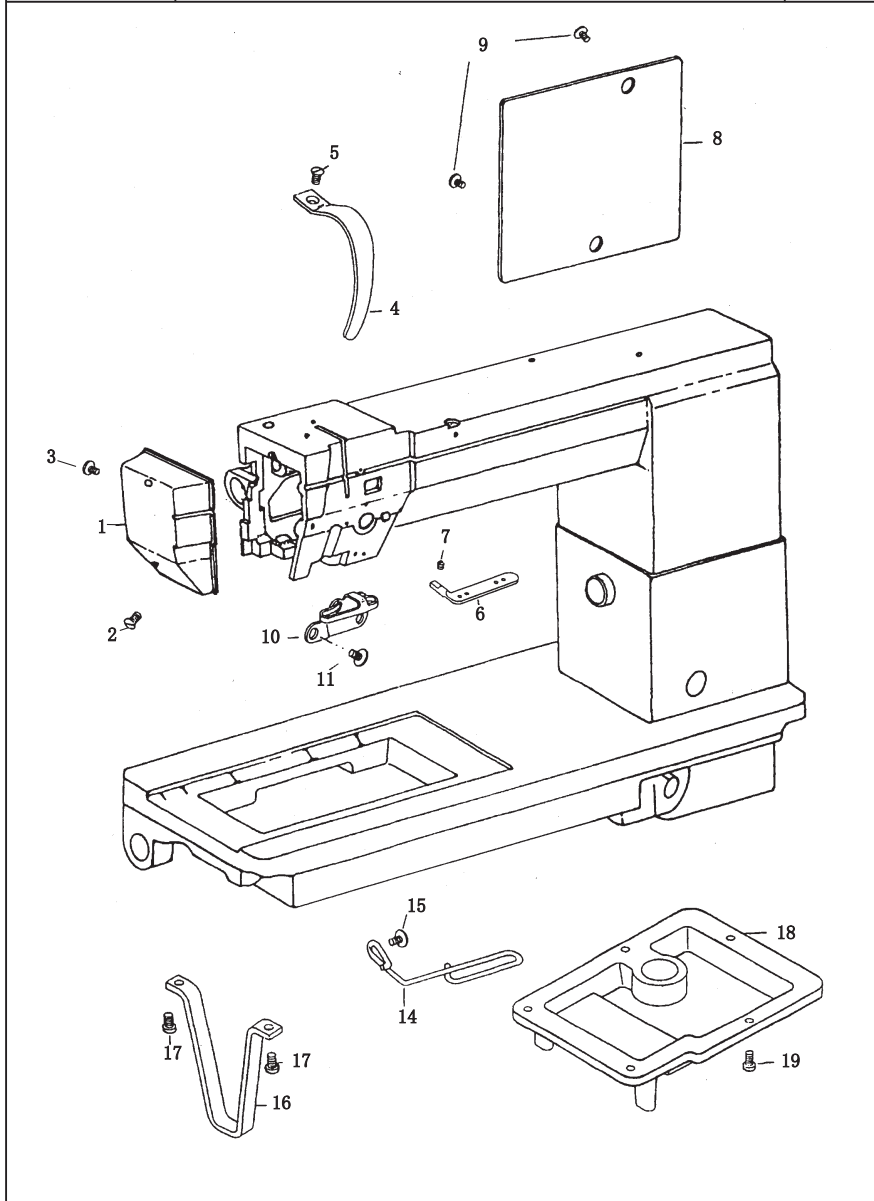


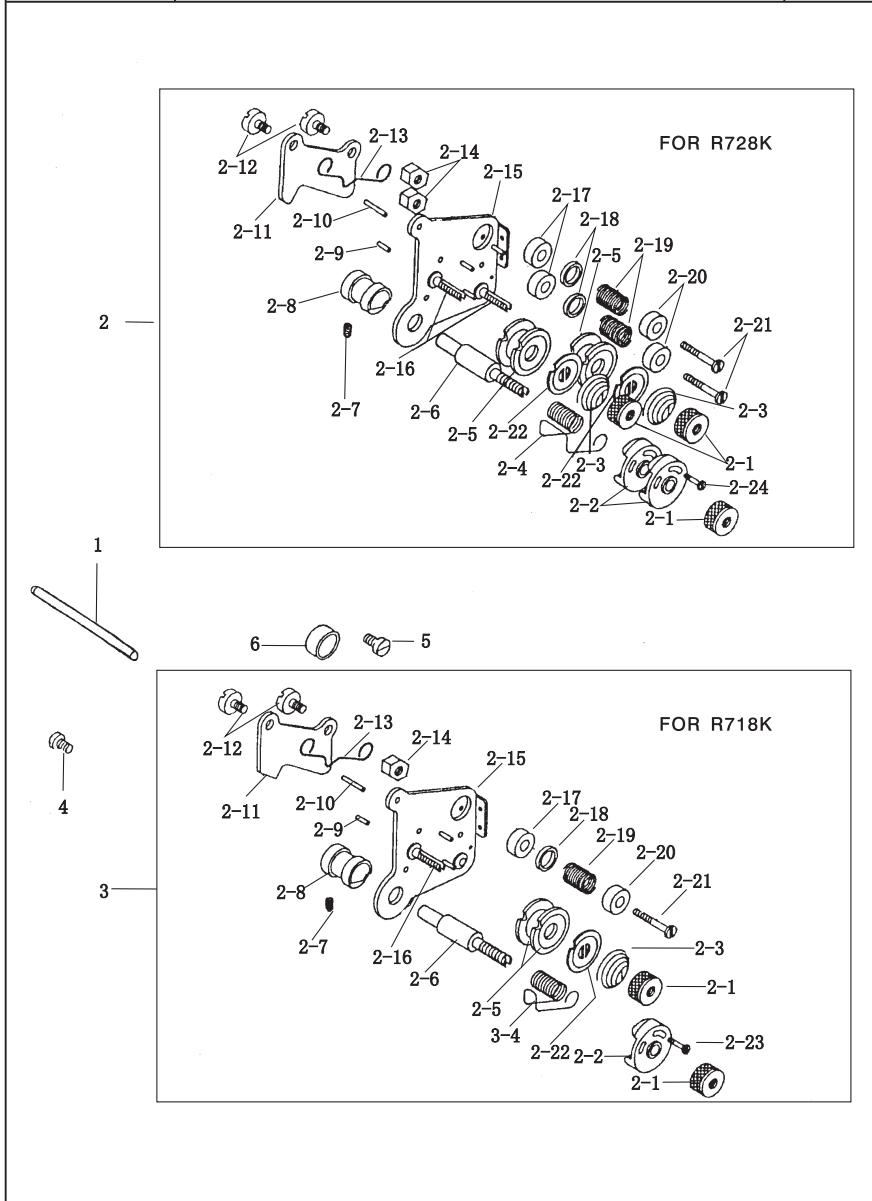
| | | | |
|-----------------------------|-------------|---|-----------|
| SIRUBA PARTS LIST | Series | Subject | Page |
| | R718K/R728K | MAIN FRAME AND COVER PARTS 本體機構和護蓋零件 | 1 / 2 |
| | | | Date |
| | | | 2013/6/27 |



| | | | |
|-----------------------------|-------------|---|-----------|
| SIRUBA PARTS LIST | Series | Subject | Page |
| | R718K/R728K | MAIN FRAME AND COVER PARTS 本體機構和護蓋零件 | 2 / 2 |
| | | | Date |
| | | | 2013/6/27 |

| Ref.No | Part No. | Name of Part | Amt.req | | Remarks | |
|--------|----------|------------------------|---------|-------|---------|--|
| | | | R718K | R728K | | |
| 1 | 119687 | Face Plate | 面蓋 | 1 | 1 | |
| 2 | 108246 | Screw | 螺絲 | 1 | 1 | |
| 3 | 108234 | Screw | 螺絲 | 1 | 1 | |
| 4 | 168061 | Thread Take-up Cover | 天秤蓋 | 1 | 1 | |
| 5 | 210210 | Screw | 螺絲 | 1 | 1 | |
| 6 | 119027 | 4 Hole Thread Retainer | 四孔過線桿 | 1 | 1 | |
| 7 | 314946 | Screw | 螺絲 | 1 | 1 | |
| 8 | 119039 | Arm Side Cover | 大防砂板 | 1 | 1 | |
| 9 | 700335 | Screw | 螺絲 | 2 | 2 | |
| 10 | 118430 | Thread Guide Wire | 過線桿 | 1 | 1 | |
| 11 | 700335 | Screw | 螺絲 | 1 | 1 | |
| 14 | 119686 | Thread Guide Wire | 過線桿 | 1 | 1 | |
| 15 | 700335 | Screw | 螺絲 | 1 | 1 | |
| 16 | 119092 | Bracket | 固定腳器 | 1 | 1 | |
| 17 | 108285-1 | Screw | 螺絲 | 2 | 2 | |
| 18 | 119091 | Bottom Cover | 底座盤 | 1 | 1 | |
| 19 | 108225 | Screw | 螺絲 | 5 | 5 | |

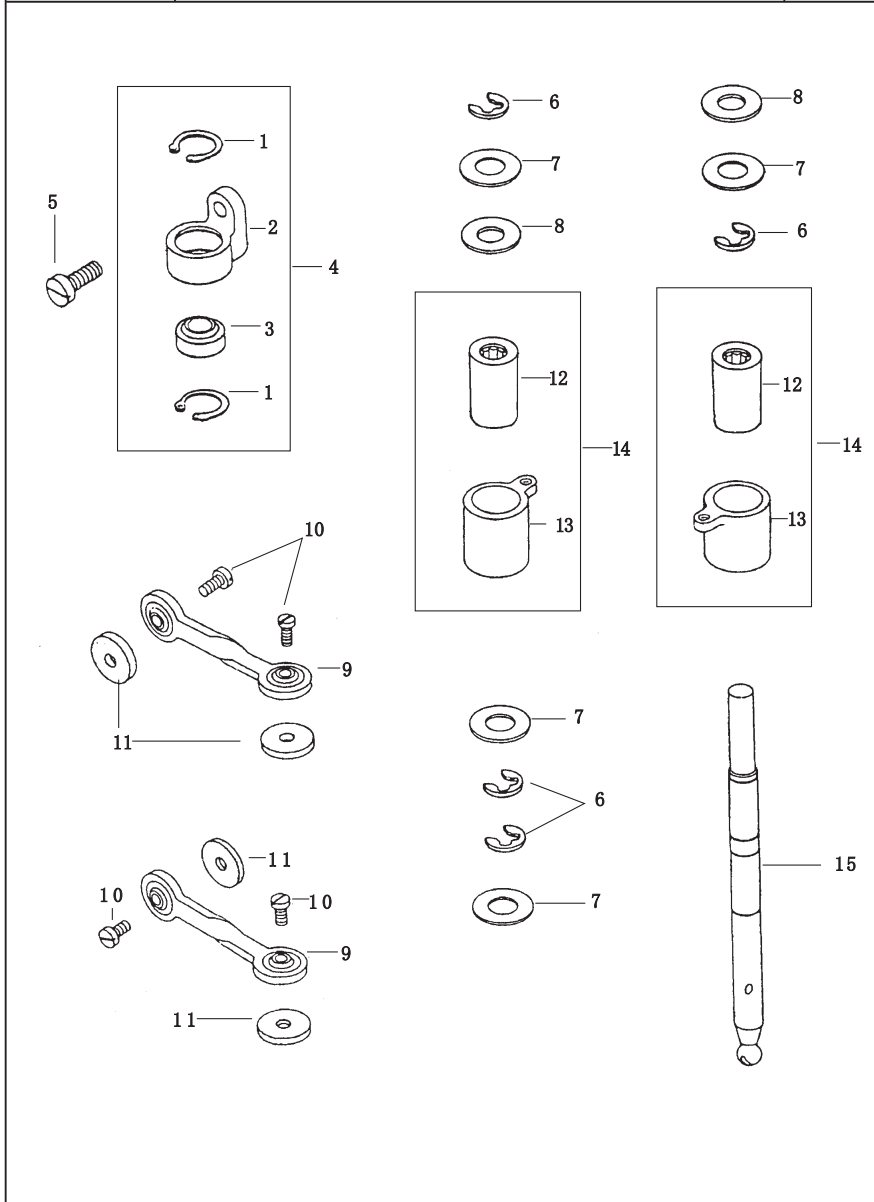
| | | | |
|-----------------------------|-------------|------------------------------------|-----------|
| SIRUBA PARTS LIST | Series | Subject | Page |
| | R718K/R728K | THREAD TENSION MECHANISM 縫線調整機構 | 1 / 2 |
| | | | Date |
| | | | 2013/6/27 |



| | | | |
|-----------------------------|-------------|------------------------------------|-----------|
| SIRUBA PARTS LIST | Series | Subject | Page |
| | R718K/R728K | THREAD TENSION MECHANISM 縫線調整機構 | 2 / 2 |
| | | | Date |
| | | | 2013/6/27 |

| Ref.No | Part No. | Name of Part | Amt.req | | Remarks |
|--------|-----------|----------------------------------|---------|-------|----------|
| | | | R718K | R728K | |
| 1 | 118553 | Tension Releasing Pin | 1 | 1 | |
| 2 | 119171 | Thread Tension Regulator Assy. | 0 | 1 | (3-1~21) |
| 2-1 | 119171-1 | Nut | 2 | 2 | |
| 2-2 | 119171-2 | Spring Guide Assy | 1 | 2 | |
| 2-3 | 119171-3 | Tensin Spring | 1 | 2 | |
| 2-4 | 119171-4 | Thread Take-up Spring | 1 | 1 | |
| 2-5 | 119171-5 | Tension Disc | 2 | 4 | |
| 2-6 | 119171-6 | Thread Tension Stud | 1 | 1 | |
| 2-7 | 119171-7 | Screw | 1 | 1 | |
| 2-8 | 119171-8 | Thread Tension Regulator Bushing | 1 | 1 | |
| 2-9 | 119171-9 | Tension Releasing Pin | 1 | 1 | |
| 2-10 | 119171-10 | Tension Releasing Pin | 1 | 1 | |
| 2-11 | 119171-11 | Tension Release Plate | 1 | 1 | |
| 2-12 | 119171-12 | Screw | 2 | 2 | |
| 2-13 | 119171-13 | Tension Release Spring | 1 | 1 | |
| 2-14 | 119171-14 | Nut | 1 | 1 | |
| 2-15 | 119171-15 | Upper Thread Tension Plate | 1 | 1 | |
| 2-16 | 119171-16 | Thread Tension Stud | 1 | 2 | |
| 2-17 | 119171-17 | Thread Guide Bracket | 1 | 2 | |
| 2-18 | 119171-18 | Thread Guide Disc | 1 | 2 | |
| 2-19 | 119171-19 | Thread Guide Spring | 1 | 2 | |
| 2-20 | 119171-20 | Thread Guide Cap | 1 | 2 | |
| 2-21 | 119171-21 | Screw | 1 | 2 | |
| 2-22 | 119171-22 | Tension disc Washer | 1 | 2 | |
| 2-23 | 119171-23 | Screw | 1 | 0 | |
| 2-24 | 119171-24 | Screw | 0 | 1 | |
| 3 | 119766 | Thread Tension Regulator Assy. | 1 | 0 | (3-1~21) |
| 3-4 | 119766-1 | Thread Take-up Spring | 1 | 0 | |
| 4 | 175096-1 | Screw | 1 | 1 | |
| 5 | 700412 | Screw | 1 | 1 | |
| 6 | 700412-1 | Bushing | 1 | 1 | |

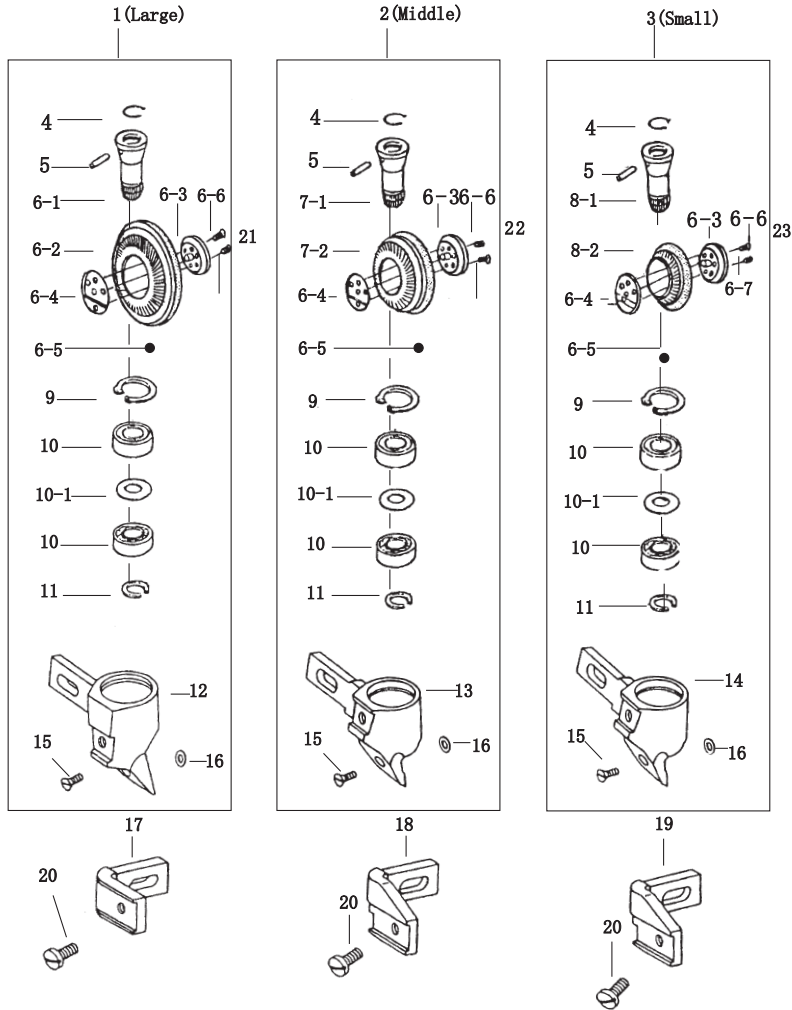
| | | | |
|-----------------------------|-------------|---|-----------|
| SIRUBA PARTS LIST | Series | Subject | Page |
| | R718K/R728K | SINGLE DIRECTION BEARING SHAFT MECHANISM 單向培林軸機構 | 1 / 2 |
| | | | Date |
| | | | 2013/6/27 |



| | | | |
|-----------------------------|-------------|---|-----------|
| SIRUBA PARTS LIST | Series | Subject | Page |
| | R718K/R728K | SINGLE DIRECTION BEARING SHAFT MECHANISM 單向培林軸機構 | 2 / 2 |
| | | | Date |
| | | | 2013/6/27 |

| Ref.No | Part No. | Name of Part | Amt.req | | Remarks |
|--------|----------|--|---------|-------|----------|
| | | | R718K | R728K | |
| 1 | 660290 | Retaining Ring | 2 | 2 | |
| 2 | 119158 | Bearing Bracket | 1 | 1 | |
| | 119158-1 | Bearing Bracket (for · MS-119803) | 1 | 1 | |
| 3 | 756901 | Bearing | 1 | 1 | |
| 4 | 119150 | Bearing Set | 1 | 1 | (1~3) |
| | 119150-1 | Bearing Set (for · MS-119150) | 1 | 1 | |
| 5 | 108294 | Screw | 1 | 1 | |
| 6 | 640210 | E-Ping | 4 | 4 | |
| 7 | 119159 | Washer(1.0) | 2 | 2 | |
| 7-1 | 119160 | Washer(1.4) | 2 | 2 | |
| 8 | 119886 | Washer(0.1) | 2 | 2 | |
| 8-1 | 119961 | Washer(0.15) | 2 | 2 | |
| 8-2 | 119962 | Washer(0.2) | 3 | 3 | |
| 8-3 | 119963 | Washer(0.05) | 2 | 2 | |
| 9 | 119507 | Link | 2 | 2 | |
| 10 | 174176 | Ssrew | 4 | 4 | |
| 11 | 119087 | Oil Felt | 4 | 4 | |
| 12 | 061014 | Needle Bearing | 2 | 2 | |
| 13 | 119505 | Free-Wheeling | 2 | 2 | (12, 13) |
| 14 | 119506 | Free Bearing | 2 | 2 | |
| 15 | 119503 | Shaft | 1 | 1 | |

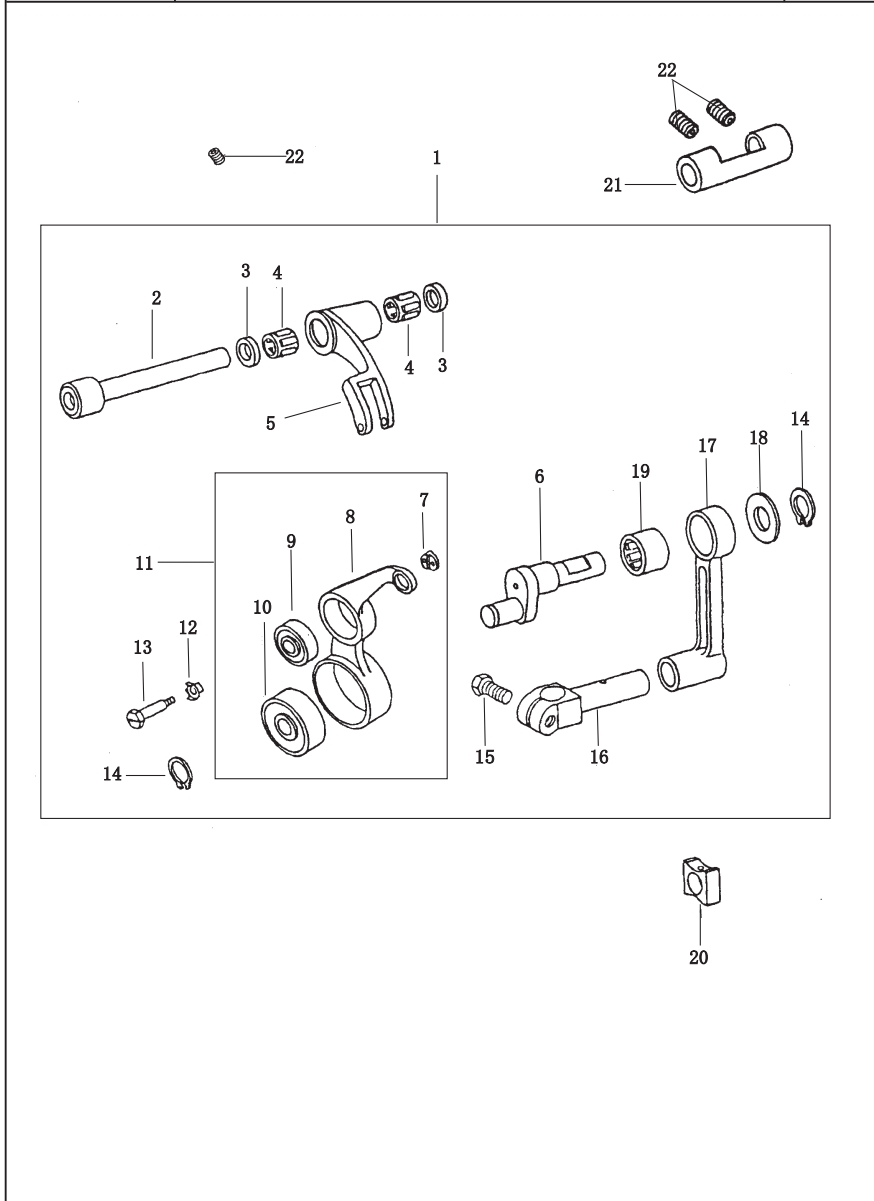
| | | | |
|-----------------------------|-------------|--|-----------|
| SIRUBA PARTS LIST | Series | Subject | Page |
| | R718K/R728K | ROLLER PRESSER FOOT MECHANISM 輪錢組機構 | 1 / 2 |
| | | | Date |
| | | | 2013/6/27 |



| | | | |
|-----------------------------|-------------|--|-----------|
| SIRUBA PARTS LIST | Series | Subject | Page |
| | R718K/R728K | ROLLER PRESSER FOOT MECHANISM 輪錢組機構 | 2 / 2 |
| | | | Date |
| | | | 2013/6/27 |

| Ref.No | Part No. | Name of Part | Amt.req | | Remarks | |
|--------|----------|--------------------------------|-----------|-------|---------|--|
| | | | R718K | R728K | | |
| 1 | 119803 | Roller Presser Assy.(large) | 輪錢組 (大) | 1 | 1 | |
| 2 | 119803-1 | Roller Presser Assy.(Middle) | 輪錢組 (中) | 1 | 1 | |
| 3 | 119802 | Roller Presser Assy.(Small) | 輪錢組 (小) | 1 | 1 | |
| 4 | 119469 | Spring Washer | 止輪環 | 1 | 1 | |
| 5 | 033145 | Pin | 平行梢 | 1 | 1 | |
| 6 | 175109 | Gear | 齒輪 | 1 | 1 | |
| 6-1 | 175109-1 | Gear Presser Shaft | 傳動軸 | 1 | 1 | |
| 6-2 | 175109-2 | Gear | 齒輪盤 | 1 | 1 | |
| 6-3 | 175109-3 | Gear Presser Shaft Seat(Front) | 輪錢軸座 (前) | 1 | 1 | |
| 6-4 | 175109-4 | Gear Presser Shaft Seat | 輪錢軸座 (後) | 1 | 1 | |
| 6-5 | 175109-5 | Ball | 鋼珠 | 1 | 1 | |
| 6-6 | 175109-6 | Screw | 螺絲 | 1 | 1 | |
| 6-7 | 175109-7 | Screw | 螺絲 | 1 | 1 | |
| 7 | 175107 | Gear | 齒輪 | 1 | 1 | |
| 7-1 | 175107-1 | Gear Presser Shaft | 傳動軸 | 1 | 1 | |
| 7-2 | 175107-2 | Gear | 齒輪盤 | 1 | 1 | |
| 7-3 | 175107-3 | Gear Presser Shaft Seat | 輪錢軸座 | 1 | 1 | |
| 8 | 175108 | Gear | 齒輪 | 1 | 1 | |
| 8-1 | 175108-1 | Gear Presser Shaft | 傳動軸 | 1 | 1 | |
| 8-2 | 175108-2 | Gear | 齒輪盤 | 1 | 1 | |
| 8-3 | 175108-3 | Gear Presser Shaft Seat | 輪錢軸座 | 1 | 1 | |
| 9 | 664290 | Retaining Ring | C型扣環 | 1 | 1 | |
| 10 | 133116 | Ball Bearing | 滾珠軸承 | 1 | 2 | |
| 10-1 | 133116-1 | Washer | 華司 | 1 | 1 | |
| 11 | 518210 | Retaining Ring | C型扣環 | 1 | 1 | |
| 12 | 119953 | Roller Presser Bracket | 輪錢座 | 1 | 1 | |
| 13 | 119943 | Roller Presser Bracket | 輪錢座 | 1 | 1 | |
| 14 | 119956 | Roller Presser Bracket | 輪錢座 | 1 | 1 | |
| 15 | 210043 | Screw | 螺絲 | 1 | 1 | |
| 16 | 119491 | Washer | 華司 | 1 | 1 | |
| 17 | 119807 | Guide Seat | 輪錢連接座 (大) | 1 | 1 | |
| 18 | 119955 | Guide Seat | 輪錢連接座 (中) | 1 | 1 | |
| 19 | 119954 | Guide Seat | 輪錢連接座 (小) | 1 | 1 | |
| 20 | 173174 | Screw | 螺絲 | 2 | 1 | |

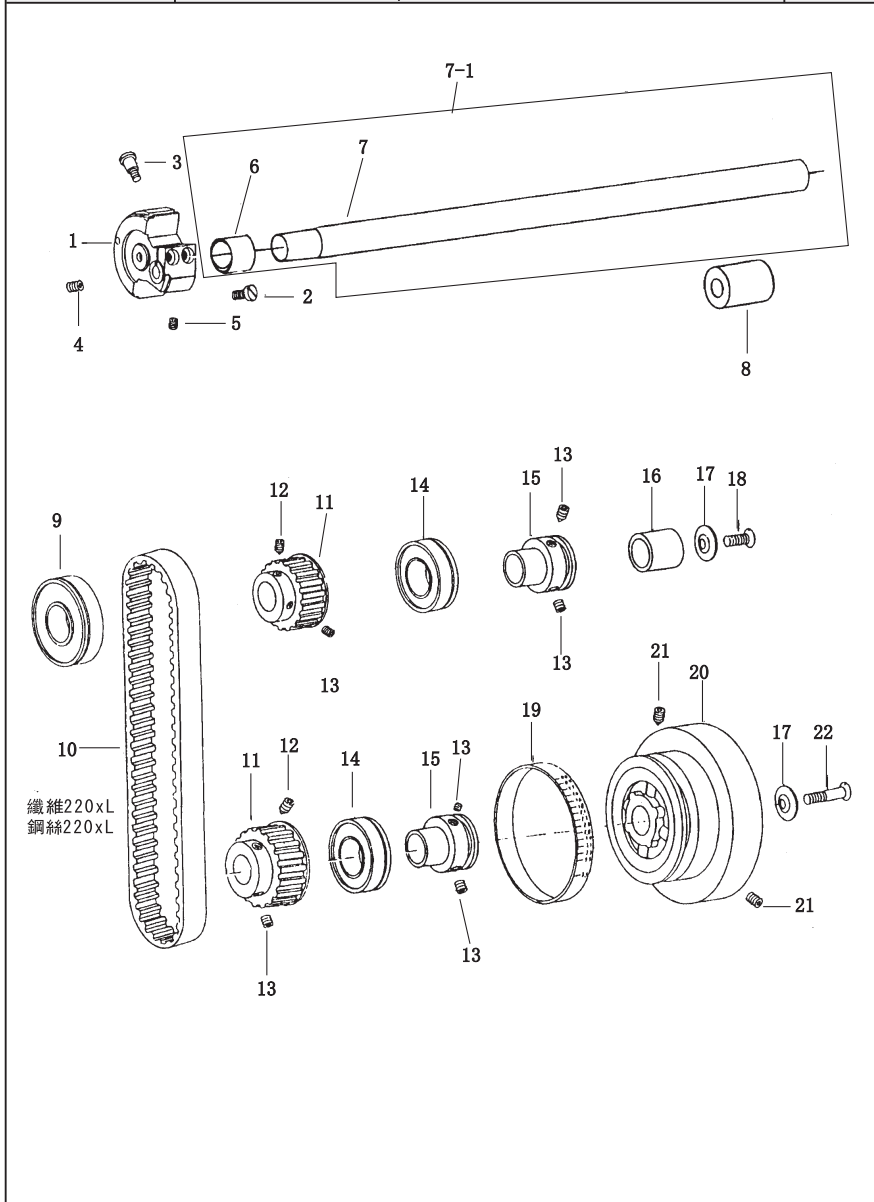
| | | | |
|-----------------------------|-------------|--|-----------|
| SIRUBA PARTS LIST | Series | Subject | Page |
| | R718K/R728K | THREAD TAKE-UP LEVER MECHANISM 天秤機構 | 1 / 2 |
| | | | Date |
| | | | 2013/6/27 |



| | | | |
|-----------------------------|-------------|--|-----------|
| SIRUBA PARTS LIST | Series | Subject | Page |
| | R718K/R728K | THREAD TAKE-UP LEVER MECHANISM 天秤機構 | 2 / 2 |
| | | | Date |
| | | | 2013/6/27 |

| Ref.No | Part No. | Name of Part | Amt.req | | Remarks |
|--------|----------|---------------------------------|---------|-------|---------|
| | | | R718K | R728K | |
| 1 | 118084 | Thread Take-up Assy | 1 | 1 | (2-19) |
| 2 | 119009 | Take-up Lever Support Stud | 1 | 1 | |
| 3 | 168039 | Washer | 2 | 2 | |
| 4 | 215022 | Needle Bearing | 2 | 2 | |
| 5 | 119008 | Take-up Frame | 1 | 1 | |
| 6 | 119762 | Take-up Crank Pin | 1 | 1 | |
| 7 | 119049 | Bushing | 1 | 1 | |
| 8 | 119007 | Take-up Lever | 1 | 1 | |
| 9 | 167569 | Ball Bearing | 1 | 1 | |
| 10 | 167570 | Ball Bearing | 1 | 1 | |
| 11 | 119006 | Take-up Lever | 1 | 1 | (7-10) |
| 12 | 168046 | Washer | 1 | 1 | |
| 13 | 168047 | Screw | 1 | 1 | |
| 14 | 610210 | Retaining Ring | 2 | 2 | |
| 15 | 039177 | Screw | 1 | 1 | |
| 16 | 119013 | Needle Bar Connecting Stud | 1 | 1 | |
| 17 | 119765 | Needle Bar Connecting Crank Rod | 1 | 1 | |
| 18 | 119763 | Washer | 1 | 1 | |
| 19 | 218080 | Needle Bearing | 1 | 1 | |
| 20 | 118518 | Needle Bar Guide Slide Block | 1 | 1 | |
| 21 | 168041 | Bushing | 1 | 1 | |
| 22 | 314220 | Screw | 3 | 3 | |

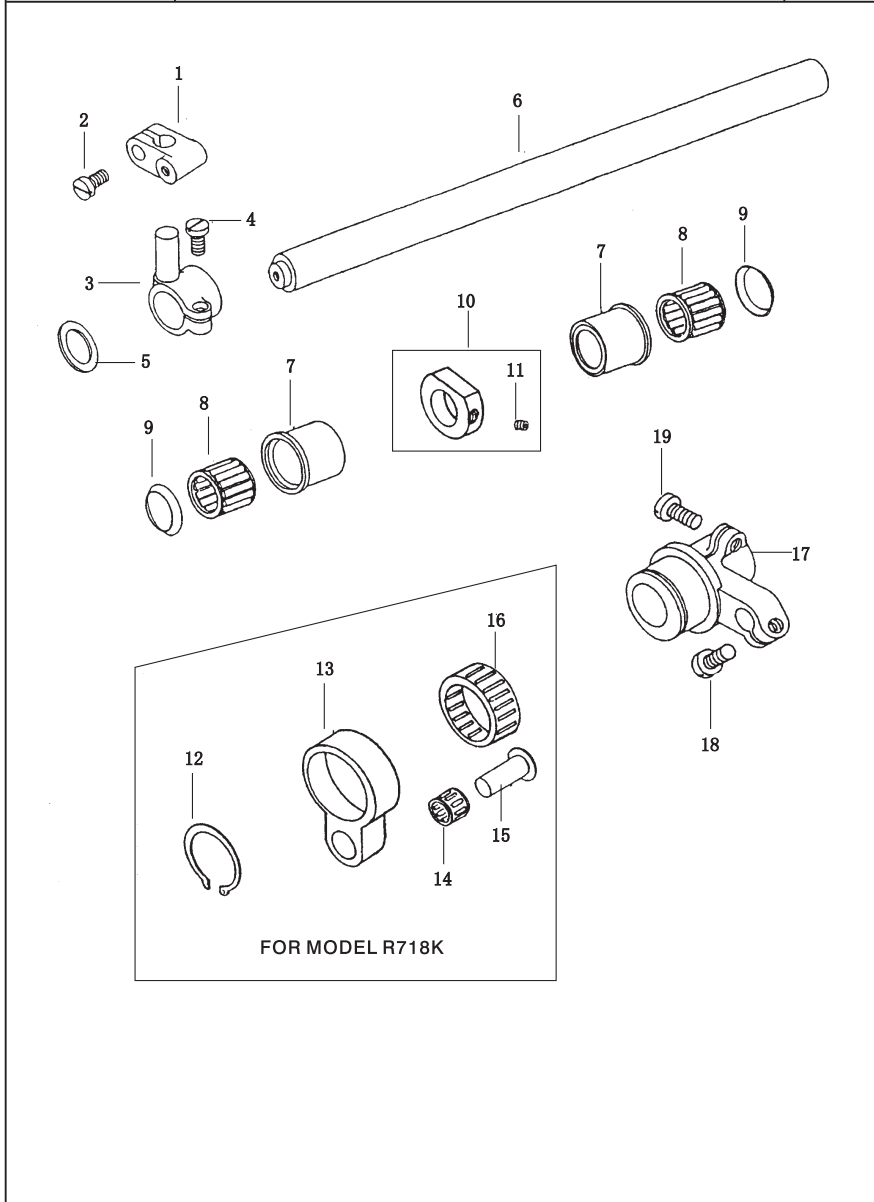
| | | | |
|-----------------------------|-------------|---|-----------|
| SIRUBA PARTS LIST | Series | Subject | Page |
| | R718K/R728K | UPPER SHAFT AND BALANLE WHEEL MECHANISM 上軸、皮帶輪機構 | 1 / 2 |
| | | | Date |
| | | | 2013/6/27 |



| | | | |
|-----------------------------|-------------|---|-----------|
| SIRUBA PARTS LIST | Series | Subject | Page |
| | R718K/R728K | UPPER SHAFT AND BALANLE WHEEL MECHANISM 上軸、皮帶輪機構 | 2 / 2 |
| | | | Date |
| | | | 2013/6/27 |

| Ref.No | Part No. | Name of Part | Amt.req | | Remarks |
|--------|----------|----------------------|---------|-------|---------|
| | | | R718K | R728K | |
| 1 | 119702-2 | Crank Cam | 1 | 1 | 凸輪 |
| 2 | 130224 | Screw | 2 | 2 | 螺絲 |
| 3 | 119702-3 | Screw | 1 | 1 | 螺絲 |
| 4 | 119702-4 | Screw | 1 | 1 | 螺絲 |
| 5 | 700510 | Screw | 1 | 1 | 螺絲 |
| 6 | 119702-5 | Bushing | 1 | 1 | 上軸套環 |
| 7 | 119702-1 | Upper Sh ft | 1 | 1 | 上軸 |
| 7-1 | 119702A | Upper Sh ft Assy | 1 | 1 | 上軸套環組 |
| 8 | 119702-6 | Bushing | 0 | 1 | 套環 |
| 9 | 018643 | Ball Bearing | 1 | 1 | 滾珠培林 |
| 10 | 069160 | Timing Belt | 1 | 1 | 皮帶 |
| 10-1 | 169160-1 | Timing Belt | 1 | 1 | 皮帶 |
| 11 | 119707 | Timing Belt Wheel | 2 | 2 | 齒形皮帶輪 |
| 12 | 335902 | Screw | 2 | 2 | 螺絲 |
| 13 | 335902-1 | Screw | 6 | 6 | 螺絲 |
| 14 | 016153 | Ball Bearing | 2 | 2 | 滾珠培林 |
| 15 | 119705 | Upper Shaft Bushing | 2 | 2 | 上軸套管 |
| 16 | 069746 | Bushing | 1 | 1 | 上軸套管 |
| 17 | 168480 | Washer | 2 | 2 | 華司 |
| 18 | 210265 | Screw | 1 | 1 | 螺絲 |
| 19 | 175048 | Feed Regulator Scale | 1 | 1 | 縫目指示環 |
| 20 | 170913 | Pulley Blance Wheel | 1 | 1 | 皮帶輪 |
| 21 | 341902 | Screw | 2 | 2 | 螺絲 |
| 22 | 210287 | Screw | 1 | 1 | 螺絲 |

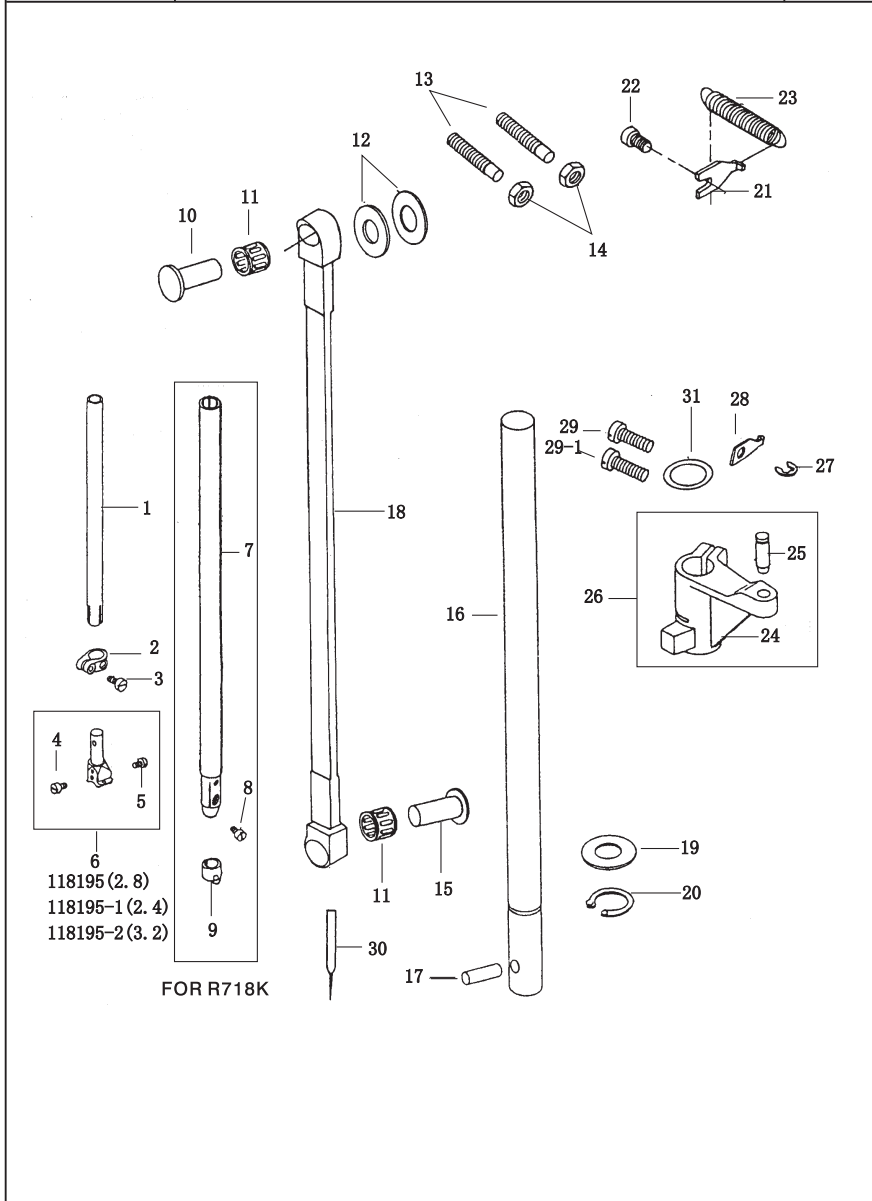
| | | | |
|-----------------------------|-------------|-------------------------------------|-----------|
| SIRUBA PARTS LIST | Series | Subject | Page |
| | R718K/R728K | UPPER SIDE SHAFT MECHANISM 上邊心機構 | 1 / 2 |
| | | | Date |
| | | | 2013/6/27 |



| | | | |
|-----------------------------|-------------|-------------------------------------|-----------|
| SIRUBA PARTS LIST | Series | Subject | Page |
| | R718K/R728K | UPPER SIDE SHAFT MECHANISM 上邊心機構 | 2 / 2 |
| | | | Date |
| | | | 2013/6/27 |

| Ref.No | Part No. | Name of Part | Amt.req | | Remarks | |
|--------|----------|----------------------|---------|-------|---------|------|
| | | | R718K | R728K | | |
| 1 | 119164 | Clamp | 萬向連結座 | 1 | 1 | (11) |
| 2 | 108177 | Screw | 螺絲 | 1 | 1 | |
| 3 | 119163 | Crank | 萬向連結頭 | 1 | 1 | |
| 4 | 108225 | Screw | 螺絲 | 1 | 1 | |
| 5 | 119085 | Washer | 華司 | 1 | 1 | |
| 6 | 119511 | Upper Side Shaft | 上邊軸 | 1 | 1 | |
| 7 | 118600 | Bushing | 針形軸承套管 | 2 | 2 | |
| 8 | 215124 | Needle Bearing | 針狀培林 | 2 | 2 | |
| 9 | 133283 | Washer | 華司 | 2 | 2 | |
| 10 | 118504 | Collar | 定環 | 1 | 1 | |
| 11 | 118503 | Screw | 螺絲 | 1 | 1 | |
| 12 | 610370 | Retaining ring | C型扣環 | 1 | 0 | |
| 13 | 119042-2 | Eccentric With Rod | 凸輪連桿 | 1 | 0 | |
| 14 | 215028 | Needle Bearing | 針狀培林 | 1 | 0 | |
| 15 | 175150 | Pin | 固定梢 (短) | 1 | 0 | |
| 16 | 242810 | Needle Bearing | 針狀培林 | 1 | 0 | |
| 17 | 119042 | Crank With Eccentric | 小凸輪 | 1 | 1 | |
| 18 | 108225-2 | Screw | 螺絲 | 1 | 1 | |
| 19 | 130224 | Screw | 螺絲 | 1 | 1 | |

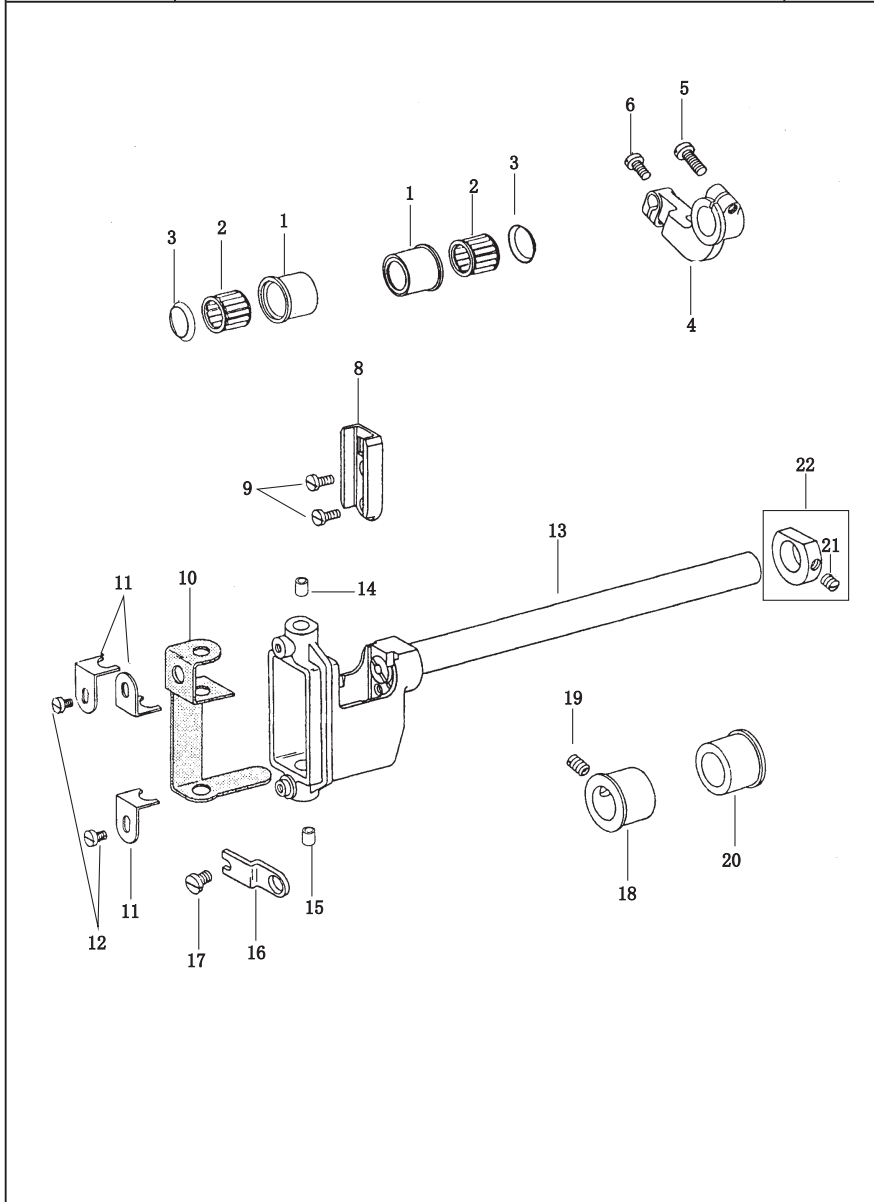
| | | | |
|-----------------------------|-------------|------------------------------|-----------|
| SIRUBA PARTS LIST | Series | Subject | Page |
| | R718K/R728K | NEEDLE BAR MECHANISM 針構機構 | 1 / 2 |
| | | | Date |
| | | | 2013/6/27 |



| | | | |
|-----------------------------|-------------|------------------------------|-----------|
| SIRUBA PARTS LIST | Series | Subject | Page |
| | R718K/R728K | NEEDLE BAR MECHANISM 針構機構 | 2 / 2 |
| | | | Date |
| | | | 2013/6/27 |

| Ref.No | Part No. | Name of Part | Amt.req | | Remarks |
|--------|----------|--------------------|---------|-------|----------|
| | | | R718K | R728K | |
| 1 | 118197 | Needle Bar | 0 | 1 | |
| 2 | 118196 | Ring Clamp | 0 | 1 | |
| 3 | 108174-1 | Screw | 0 | 1 | |
| 4 | 700868 | Screw | 0 | 1 | |
| 5 | 700868-1 | Screw | 0 | 1 | |
| 6 | 118195 | Needle Holder(2.8) | 0 | 1 | (4, 5) |
| | 118195-1 | Needle Holder(2.4) | 0 | 1 | (4, 5) |
| | 118195-2 | Needle Holder(3.2) | 0 | 1 | |
| 7 | 175096 | Needle Bar | 1 | 0 | |
| 8 | 174173 | Screw | 1 | 0 | |
| 9 | 175096-2 | Thread Guide | 1 | 0 | |
| 10 | 175150 | Pin | 1 | 1 | |
| 11 | 215028 | Needle Bearing | 2 | 2 | |
| 12 | 169137 | Washer | 2 | 2 | |
| 13 | 305305 | Screw | 2 | 2 | |
| 14 | 024191 | Nut | 2 | 2 | |
| 15 | 118612 | Pin | 1 | 1 | |
| 16 | 119718 | Shaft | 1 | 1 | |
| 17 | 030310 | Pin | 1 | 1 | |
| 18 | 119046 | Connecting Rod | 1 | 1 | |
| 19 | 119525-2 | Washer | 1 | 1 | |
| 20 | 119718-2 | Retaining Ring | 1 | 1 | |
| 21 | 118858 | Spring Plate | 1 | 1 | |
| 22 | 108285 | Screw | 1 | 1 | |
| 23 | 118857 | Spring | 1 | 1 | |
| 24 | 118543 | Crank | 1 | 1 | |
| 25 | 118544 | Pin | 1 | 1 | (24, 25) |
| 26 | 118543A | Crank Shaft | 1 | 1 | |
| 27 | 640150 | E-Ring | 1 | 1 | |
| 28 | 020490 | Spring Plate | 1 | 1 | |
| 29 | 130224 | Screw | 2 | 2 | |
| 29-1 | 130224-1 | Screw | 1 | 1 | |
| 30 | 134356 | Needle | 1 | 1 | |
| 31 | 118545 | Washer | 1 | 1 | |

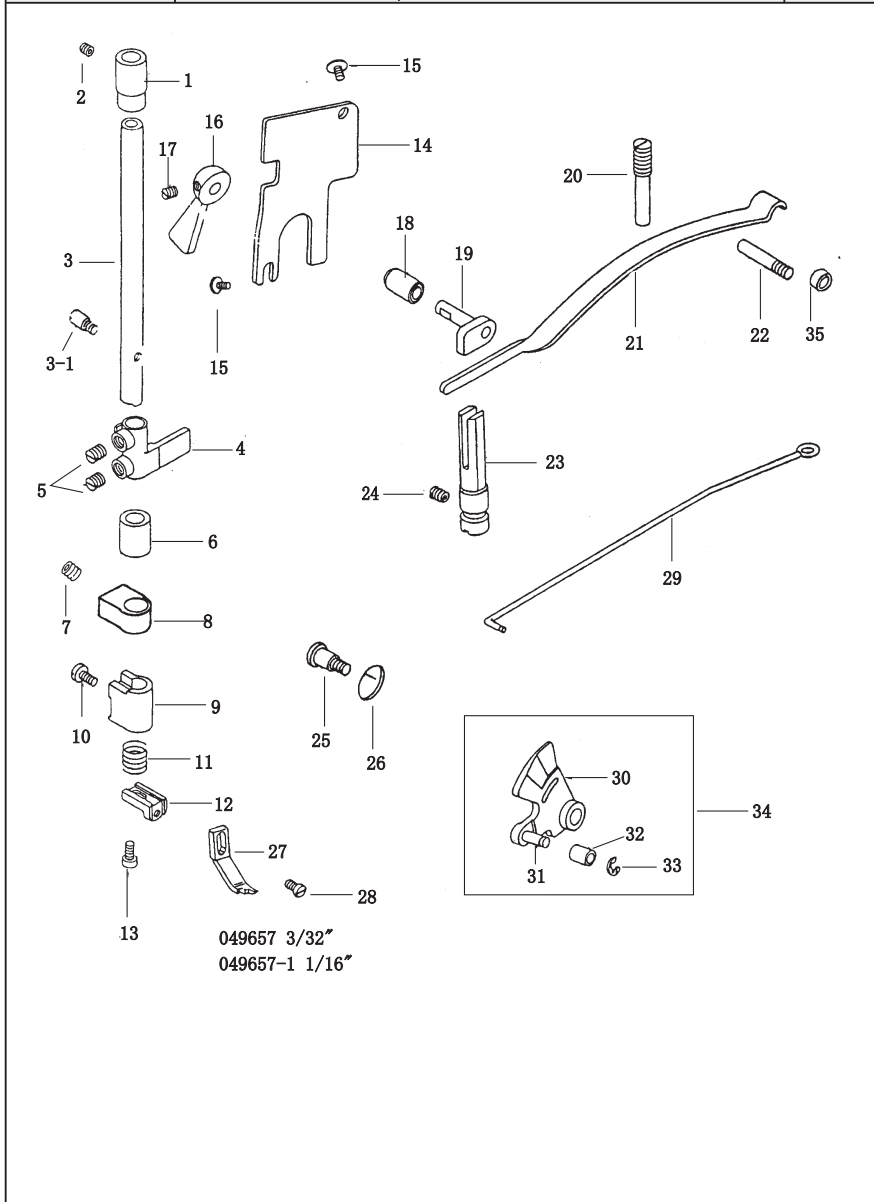
| | | | |
|-----------------------------|-------------|-------------------------------------|-----------|
| SIRUBA PARTS LIST | Series | Subject | Page |
| | R718K/R728K | NEEDLE BAR FEED MECHANISM 針棒進給機構 | 1 / 2 |
| | | | Date |
| | | | 2013/6/27 |



| | | | |
|-----------------------------|-------------|-------------------------------------|-----------|
| SIRUBA PARTS LIST | Series | Subject | Page |
| | R718K/R728K | NEEDLE BAR FEED MECHANISM 針棒進給機構 | 2 / 2 |
| | | | Date |
| | | | 2013/6/27 |

| Ref.No | Part No. | Name of Part | Amt.req | | Remarks | |
|--------|----------|-----------------------------------|----------|-------|---------|------|
| | | | R718K | R728K | | |
| 1 | 118600 | Bushing | 套管 | 2 | 0 | |
| 2 | 215124 | Needle Bearing | 針狀培林 | 2 | 0 | |
| 3 | 133283 | Washer | 華司 | 4 | 0 | |
| 4 | 118610 | Crank | 針送支臂 | 1 | 0 | |
| 5 | 108285-1 | Screw | 螺絲 | 1 | 0 | |
| 6 | 130224 | Screw | 螺絲 | 1 | 0 | |
| 8 | 118594 | Needle Bar Connecting Link Guide | 針棒連接器導槽 | 1 | 1 | |
| 9 | 100355 | Screw | 螺絲 | 2 | 2 | |
| 10 | 119014 | Oil Felt | 油棉 | 1 | 1 | |
| 11 | 119015 | Holder | 油棉壓板 | 3 | 3 | |
| 12 | 706169 | Screw | 螺絲 | 2 | 2 | |
| 13 | 119940 | Needle Bar Holder | 針棒支持座 | 1 | 1 | |
| 14 | 119940-5 | Needle Bar Bushing | 針棒套管 (上) | 1 | 1 | |
| 15 | 119940-4 | Needle Bar Bushing | 針棒套管 (下) | 1 | 1 | |
| 16 | 118521 | Needle Bar Support Frame Retainer | 針棒固定板 | 0 | 1 | |
| 17 | 108219 | Screw | 螺絲 | 0 | 1 | |
| 18 | 118520 | Bushing | 套管 | 0 | 1 | |
| 19 | 314286 | Screw | 螺絲 | 0 | 1 | |
| 20 | 118520-1 | Bushing | 套管 | 0 | 1 | |
| 21 | 118503 | Screw | 螺絲 | 1 | 1 | |
| 22 | 118504 | Collar | 定環 | 1 | 1 | (21) |

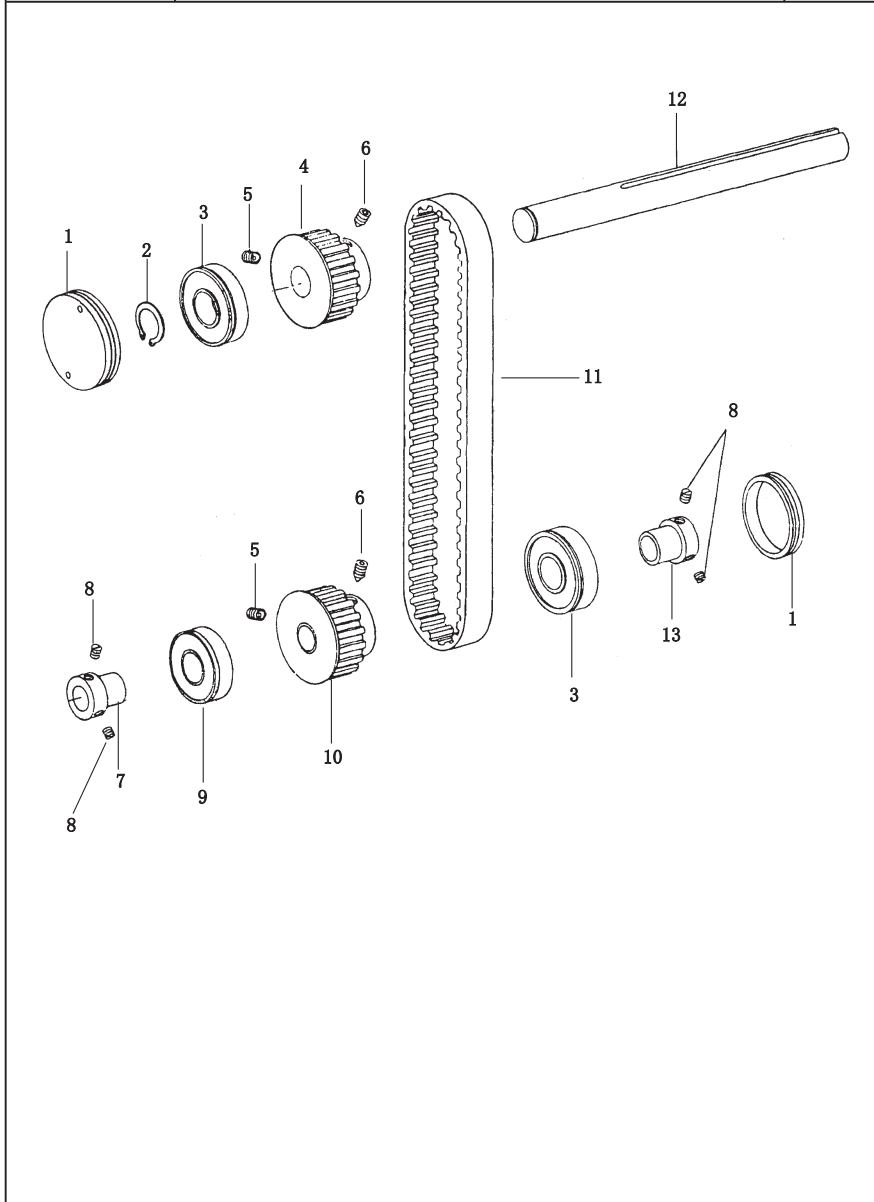
| | | | |
|-----------------------------|-------------|------------------------------------|-----------|
| SIRUBA PARTS LIST | Series | Subject | Page |
| | R718K/R728K | PRESSER FOOT BAR MECHANISM 押棒機構 | 1 / 2 |
| | | | Date |
| | | | 2013/6/27 |



| | | | |
|-----------------------------|-------------|------------------------------------|-----------|
| SIRUBA PARTS LIST | Series | Subject | Page |
| | R718K/R728K | PRESSER FOOT BAR MECHANISM 押棒機構 | 2 / 2 |
| | | | Date |
| | | | 2013/6/27 |

| Ref.No | Part No. | Name of Part | Amt.req | | Remarks |
|--------|----------|------------------------------|---------|-------|---------|
| | | | R718K | R728K | |
| 1 | 119019 | Presser Bar Bushing(Upper) | 1 | 1 | |
| 2 | 700785 | Screw | 1 | 1 | |
| 3 | 119018 | Presser Bar | 1 | 1 | |
| 3-1 | 119018-1 | Pin | 1 | 1 | |
| 4 | 118530 | Presser Bar Holder | 1 | 1 | |
| 5 | 700510 | Screw | 2 | 2 | |
| 6 | 119019-1 | Presser Far Bushing(Lower) | 1 | 1 | |
| 7 | 700510-1 | Screw | 1 | 1 | |
| 8 | 119165-1 | Roller Presser Holder | 1 | 1 | |
| 9 | 119165 | Roller Presser Holder | 1 | 1 | |
| 10 | 173174 | Screw | 1 | 1 | |
| 11 | 025874 | Spring | 1 | 1 | |
| 12 | 054876 | Angle | 1 | 1 | |
| 13 | 130173 | Screw | 1 | 1 | |
| 14 | 175135 | Cover | 1 | 1 | |
| 15 | 700335 | Screw | 2 | 2 | |
| 16 | 069079 | Presser Foot Lifter | 1 | 1 | |
| 17 | 317950 | Screw | 1 | 1 | |
| 18 | 119004 | Bushing | 1 | 1 | |
| 19 | 118577 | Cam Shaft | 1 | 1 | |
| 20 | 100331 | Screw | 1 | 1 | |
| 21 | 118535 | Presser Plate Spring | 1 | 1 | |
| 22 | 343901 | Screw | 1 | 1 | |
| 23 | 118105 | Stud | 1 | 1 | |
| 24 | 314286 | Screw | 1 | 1 | |
| 25 | 700017 | Screw | 1 | 1 | |
| 26 | 119016 | Spring | 1 | 1 | |
| 27 | 049657 | Ptesser Foot | 0 | 1 | |
| | 049657-1 | Ptesser Foot | 0 | 1 | |
| 28 | 108171 | Screw | 0 | 1 | |
| 29 | 118542 | Knee Lifter Connecting Lever | 1 | 1 | |
| 30 | 118536 | Spring Plate | 1 | 1 | |
| 31 | 118536-1 | Pin | 1 | 1 | |
| 32 | 118539 | Bushing | 1 | 1 | |
| 33 | 640150 | E-Ring | 1 | 1 | |
| 34 | 118536A | Lifting Lever Assy | 1 | 1 | |
| 35 | 343902 | Bushing | 1 | 1 | (30~33) |

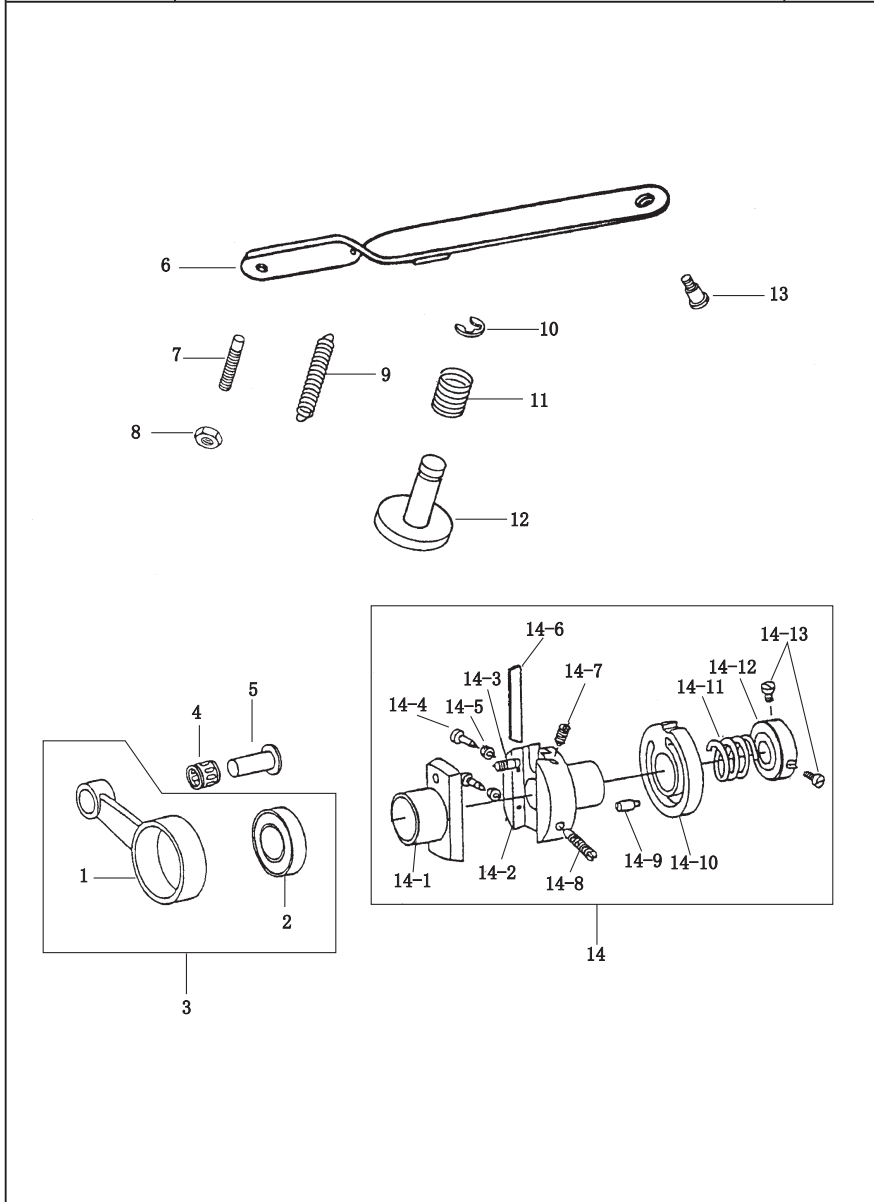
| | | | |
|-----------------------------|-------------|---|-----------|
| SIRUBA PARTS LIST | Series | Subject | Page |
| | R718K/R728K | TIMING BELT DRIVING MECHANISM 皮帶傳動機構 | 1 / 2 |
| | | | Date |
| | | | 2013/6/27 |



| | | | |
|-----------------------------|-------------|---|-----------|
| SIRUBA PARTS LIST | Series | Subject | Page |
| | R718K/R728K | TIMING BELT DRIVING MECHANISM 皮帶傳動機構 | 2 / 2 |
| | | | Date |
| | | | 2013/6/27 |

| Ref.No | Part No. | Name of Part | Amt.req | | Remarks |
|--------|----------|-------------------------|---------|-------|---------|
| | | | R718K | R728K | |
| 1 | 119097 | Plug 保護蓋 | 2 | 2 | |
| 2 | 610300 | Retaining Ring C型扣環 | 1 | 1 | |
| 3 | 018624 | Ball Bearing 滾珠軸承 | 2 | 2 | |
| 4 | 119707 | Timing Belt Wheel 齒形皮帶輪 | 1 | 1 | |
| 5 | 335902-1 | Screw 螺絲 | 2 | 2 | |
| 6 | 335902 | Screw 螺絲 | 2 | 2 | |
| 7 | 119121 | Collar(Left) 軸承套管 (左) | 1 | 1 | |
| 8 | 700689 | Screw 螺絲 | 4 | 4 | |
| 9 | 018613 | Ball Bearing 滾珠軸承 | 1 | 1 | |
| 10 | 119708 | Timing Belt Wheel 齒形皮帶輪 | 1 | 1 | |
| 11 | 069161 | Timing Belt 皮帶 | 1 | 1 | |
| | 069161-1 | Timing Belt 皮帶 | 1 | 1 | |
| 12 | 119706 | Shaft 皮帶輪軸 | 1 | 1 | |
| 13 | 118726 | Collar(Right) 軸承套管 (右) | 1 | 1 | |

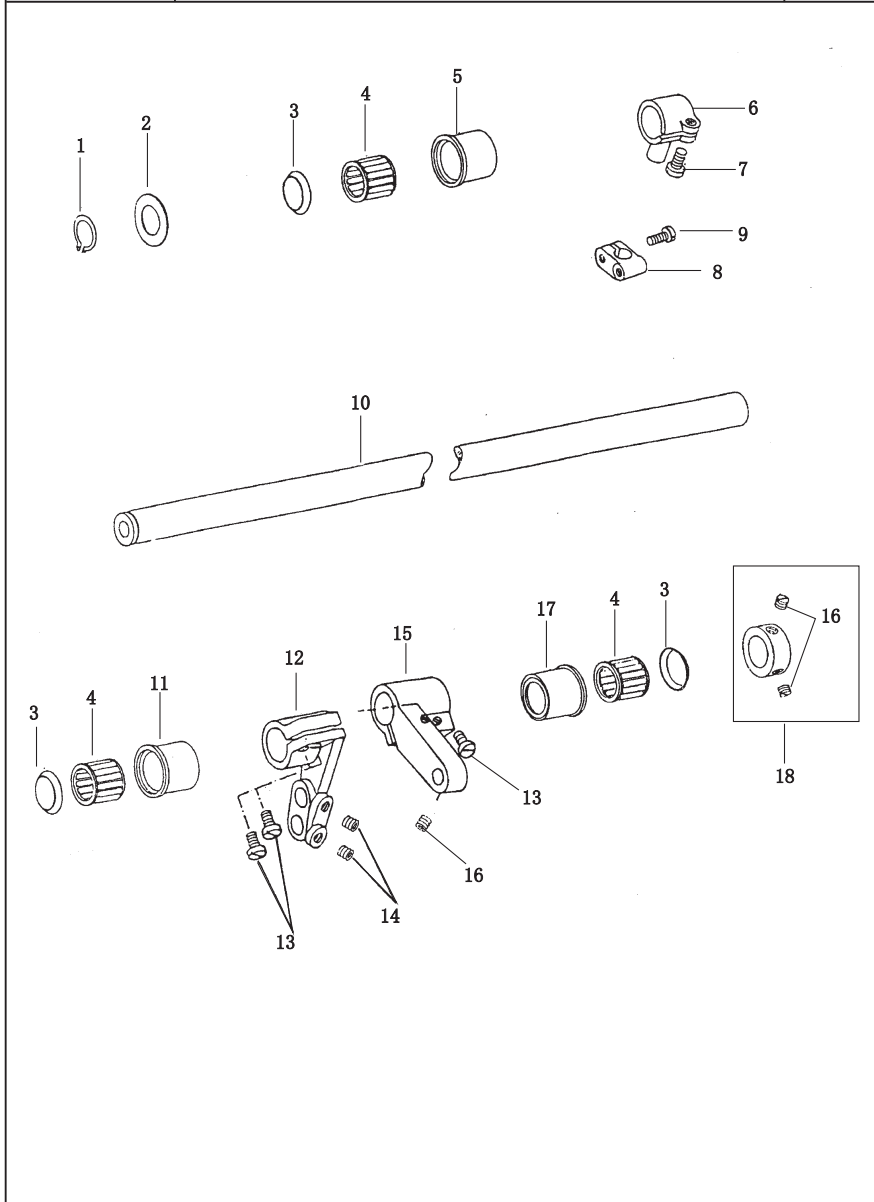
| | | | |
|-----------------------------|-------------|-------------------------------------|-----------|
| SIRUBA PARTS LIST | Series | Subject | Page |
| | R718K/R728K | STITCH ADJUSTER MECHANISM 縫目調整機構 | 1 / 2 |
| | | | Date |
| | | | 2013/6/27 |



| | | | |
|-----------------------------|-------------|-------------------------------------|-----------|
| SIRUBA PARTS LIST | Series | Subject | Page |
| | R718K/R728K | STITCH ADJUSTER MECHANISM 縫目調整機構 | 2 / 2 |
| | | | Date |
| | | | 2013/6/27 |

| Ref.No | Part No. | Name of Part | Amt.req | | Remarks |
|--------|-----------|------------------------------------|---------|-------|---------|
| | | | R718K | R728K | |
| 1 | 175038 | Connecting Rod 連 | 1 | 1 | |
| 2 | 6906 | Ball Bearing 滾珠軸承 | 1 | 1 | |
| 3 | 175038A | Crand Rod Set 毛毛連桿組 | 1 | 1 | (1, 2) |
| 4 | 215028 | Needle Bearing 針狀軸承 | 1 | 1 | |
| 5 | 118612 | Bearing Stud 固定銷 (長) | 1 | 1 | |
| 6 | 165356 | Feeding Adjusting Plate 送料調節板 | 1 | 1 | |
| 7 | 165356-1 | Screw 螺絲 | 1 | 1 | |
| 8 | 165356-8 | Nut 螺帽 | 1 | 1 | |
| 9 | 165356-5 | Spring 彈簧 | 1 | 1 | |
| 10 | 165356-7 | E-ring E型扣環 | 1 | 1 | |
| 11 | 165356-6 | Spring 彈簧 | 1 | 1 | |
| 12 | 165356-2 | Pin 梢子 | 1 | 1 | |
| 13 | 165356-3 | Screw 螺絲 | 1 | 1 | |
| 14 | 175029 | Cam Assy 凸輪組 | 1 | 1 | |
| 14-1 | 175029-1 | Stitch Regulating Sear 縫目調整座 | 1 | 1 | |
| 14-2 | 175029-2 | Stitch Regulating Fix Seat 縫目調整固定座 | 1 | 1 | |
| 14-3 | 175029-3 | Feed Adjusting Screw 偏心調整支軸 | 1 | 1 | |
| 14-4 | 175029-4 | Screw 螺絲 | 1 | 1 | |
| 14-5 | 175029-5 | Nut 螺帽 | 1 | 1 | |
| 14-6 | 175029-6 | Friction Plate 迫緊片 | 1 | 1 | |
| 14-7 | 175029-7 | Screw 螺絲 | 1 | 1 | |
| 14-8 | 175029-8 | Screw 螺絲 | 1 | 1 | |
| 14-9 | 175029-9 | Screw 螺絲 | 1 | 1 | |
| 14-10 | 175029-10 | Eccentric Wheel 縫目調整偏心輪 | 1 | 1 | |
| 14-11 | 175029-11 | Spring 彈簧 | 1 | 1 | |
| 14-12 | 175029-12 | Collar 套環 | 1 | 1 | |
| 14-13 | 175029-13 | Screw 螺絲 | 2 | 2 | |

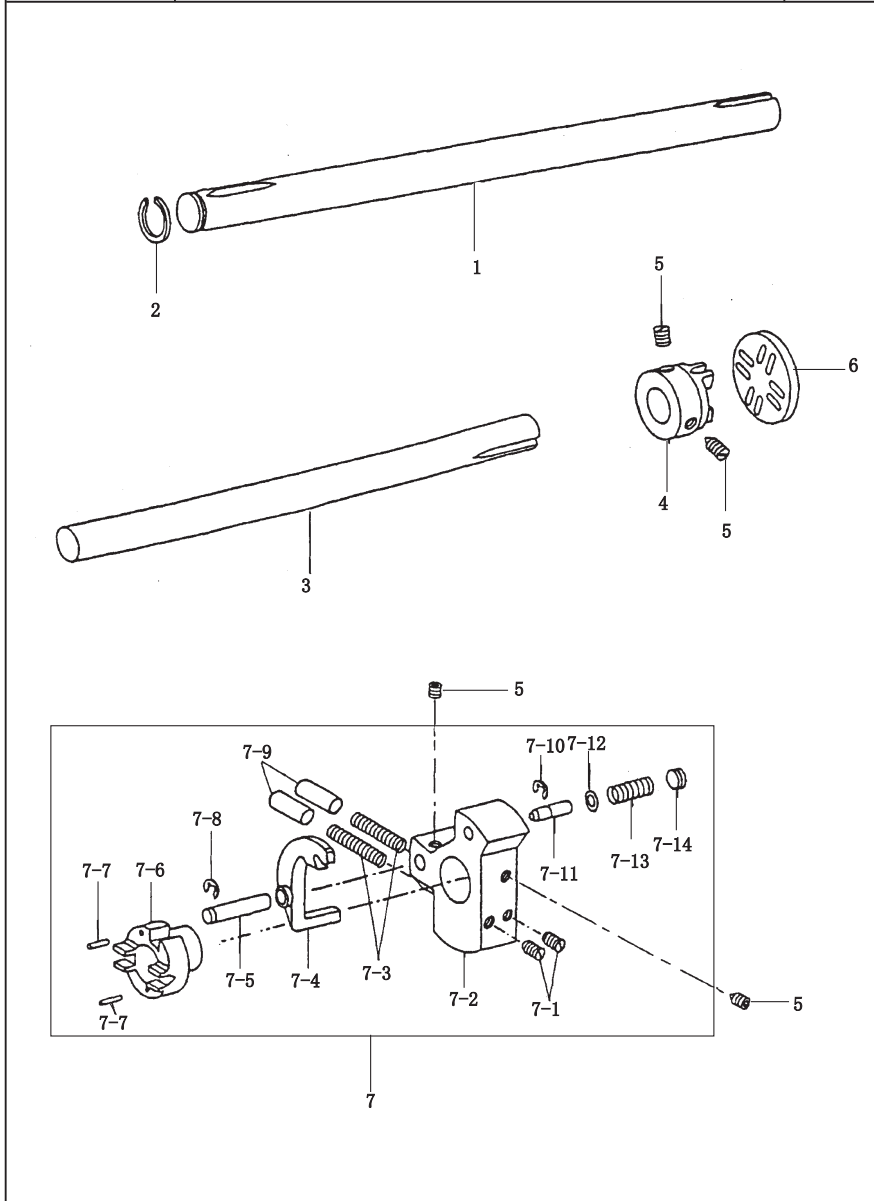
| | | | |
|-----------------------------|-------------|--------------------------------|-----------|
| SIRUBA PARTS LIST | Series | Subject | Page |
| | R718K/R728K | FEED SHAFT MECHANISM 輸送傳動機構 | 1 / 2 |
| | | | Date |
| | | | 2013/6/27 |



| | | | |
|-----------------------------|-------------|--------------------------------|-----------|
| SIRUBA PARTS LIST | Series | Subject | Page |
| | R718K/R728K | FEED SHAFT MECHANISM 輸送傳動機構 | 2 / 2 |
| | | | Date |
| | | | 2013/6/27 |

| Ref.No | Part No. | Name of Part | Amt.req | | Remarks |
|--------|----------|---------------------|---------|-------|---------|
| | | | R718K | R728K | |
| 1 | 610280 | Retaining Ring C型扣環 | 1 | 1 | |
| 2 | 119085 | Washer 華司 | 1 | 1 | |
| 3 | 133283 | Washer 針狀軸承蓋 | 6 | 6 | |
| 4 | 215124 | Needle Bearing 針狀軸承 | 3 | 3 | |
| 5 | 118600 | Bushing 套管 | 1 | 1 | |
| 6 | 119163 | Crank 萬向連結頭 | 1 | 1 | |
| 7 | 108225 | Screw 螺絲 | 1 | 1 | |
| 8 | 119164 | Clamp 萬向連接座 | 1 | 1 | |
| 9 | 108177 | Screw 螺絲 | 1 | 1 | |
| 10 | 119084 | Shaft 輸送主軸 | 1 | 1 | |
| 11 | 118601 | Bushing 套管 | 1 | 1 | |
| 12 | 119521 | Crank 單向輸送支臂 | 1 | 1 | |
| 13 | 130224 | Screw 螺絲 | 3 | 3 | |
| 14 | 335902-1 | Screw 螺絲 | 2 | 2 | |
| 15 | 119521-1 | Crank 單向輸送支臂 | 1 | 1 | |
| 16 | 700689 | Screw 螺絲 | 3 | 3 | |
| 17 | 118603 | Bushing 套管 | 1 | 1 | |
| 18 | 118893 | Collar 上邊心定環 | 1 | 1 | (16) |

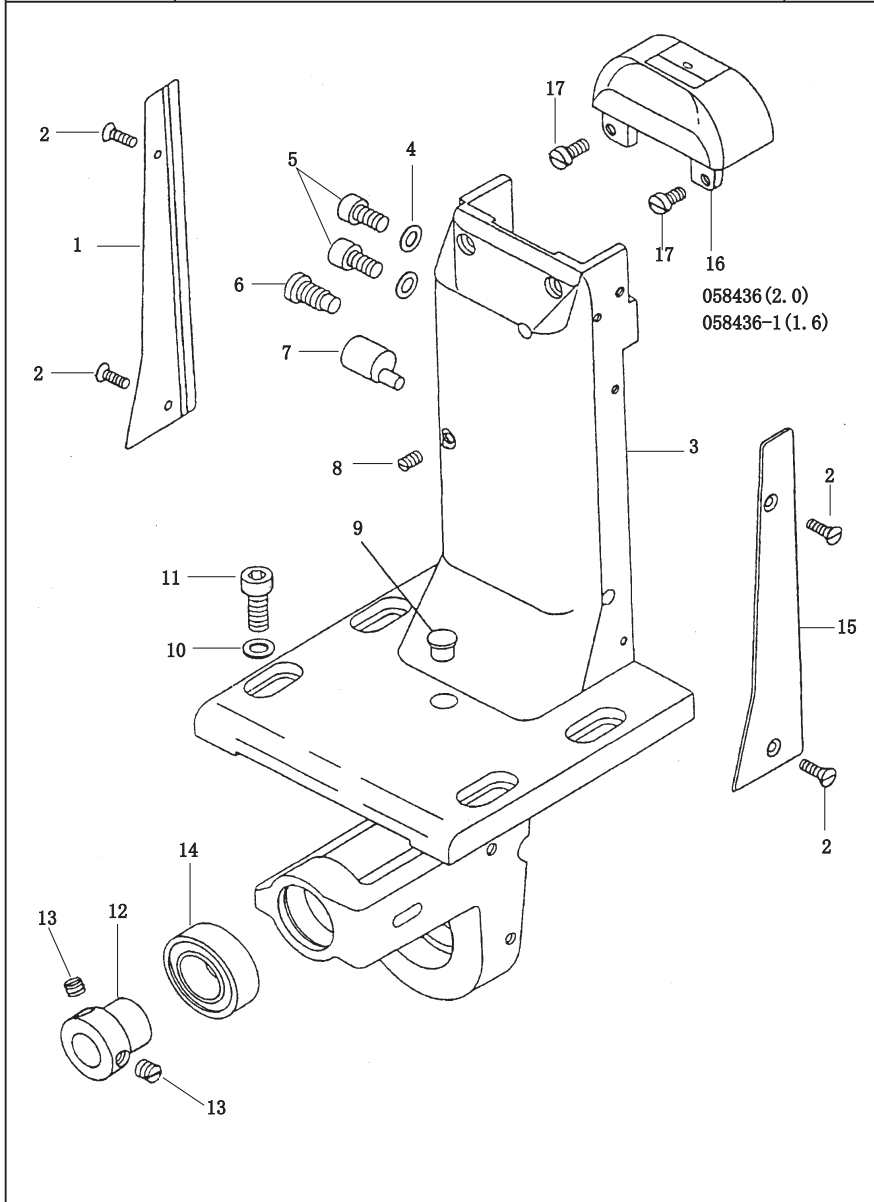
| | | | |
|-----------------------------|-------------|-------------------------------|-----------|
| SIRUBA PARTS LIST | Series | Subject | Page |
| | R718K/R728K | CLUTCH SET MECHANISM 離合器機構 | 1 / 2 |
| | | | Date |
| | | | 2013/6/27 |



| | | | |
|-----------------------------|-------------|-------------------------------|-----------|
| SIRUBA PARTS LIST | Series | Subject | Page |
| | R718K/R728K | CLUTCH SET MECHANISM 離合器機構 | 2 / 2 |
| | | | Date |
| | | | 2013/6/27 |

| Ref.No | Part No. | Name of Part | Amt.req | | Remarks |
|--------|----------|-------------------------|---------|-------|------------|
| | | | R718K | R728K | |
| 1 | 175025 | Shaft 萬向連結軸 | 1 | 1 | |
| 2 | 518250 | Retaining Ring C型扣環 | 1 | 1 | |
| 3 | 119711 | Shaft 萬向連結軸 (短) | 1 | 1 | |
| 4 | 175019 | Coupler 軸連器 (左) | 1 | 1 | |
| 5 | 341901 | Screw 螺絲 | 4 | 4 | |
| 6 | 133109 | Connecting Plate 連接板 | 1 | 1 | |
| 7 | 119081A | Safety Clutch 離合器組 | 1 | 1 | (7-1~7-14) |
| 7-1 | 700510 | Screw 螺絲 | 2 | 2 | |
| 7-2 | 173263 | Safety Clutch Seat 離合器座 | 1 | 1 | |
| 7-3 | 013153 | Spring 彈簧 | 2 | 2 | |
| 7-4 | 173261 | Latch 離合器爪 | 1 | 1 | |
| 7-5 | 009408 | Hinge Seud 固定座 | 1 | 1 | |
| 7-6 | 173264 | Coupler(right) 軸連器 (右) | 1 | 1 | |
| 7-7 | 065052 | Pin 平行梢 | 2 | 2 | |
| 7-8 | 640150 | E-Ring E型扣環 | 1 | 1 | |
| 7-9 | 175023 | Stud 彈簧固定套 | 2 | 2 | |
| 7-10 | 640130 | E-Ring E型扣環 | 1 | 1 | |
| 7-11 | 013076 | Drop-In Pin 固定梢 | 1 | 1 | |
| 7-12 | 069037 | Washer 華司 | 1 | 1 | |
| 7-13 | 009343 | Spring 壓縮彈簧 | 1 | 1 | |
| 7-14 | 175126 | Ring 固定螺絲 | 1 | 1 | |

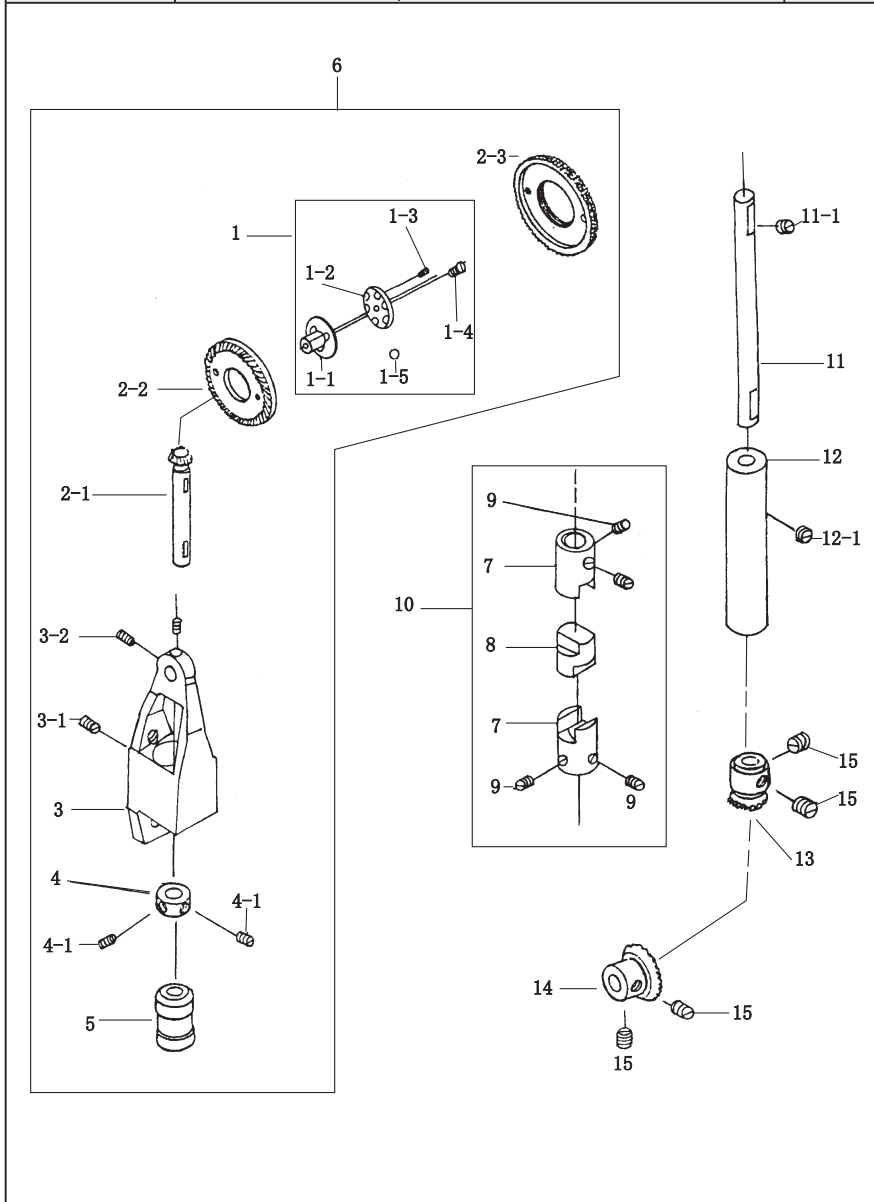
| | | | |
|-----------------------------|--------------|-----------------------------------|-----------|
| SIRUBA PARTS LIST | Series | Subject | Page |
| | R718K | BEDPLATE FEED MECHANISM 單針中座機構 | 1 / 2 |
| | | | Date |
| | | | 2013/6/27 |



| | | | |
|-----------------------------|--------------|-----------------------------------|-----------|
| SIRUBA PARTS LIST | Series | Subject | Page |
| | R718K | BEDPLATE FEED MECHANISM 單針中座機構 | 2 / 2 |
| | | | Date |
| | | | 2013/6/27 |

| Ref.No | Part No. | Name of Part | Amt.req | | Remarks | |
|--------|----------|-------------------|---------|-------|---------|--|
| | | | R718K | R728K | | |
| 1 | 119145 | Cover Plate | 邊蓋板 | 1 | 0 | |
| 2 | 250084 | Screw | 螺絲 | 4 | 0 | |
| 3 | 119721 | Support Plate | 單針中座 | 1 | 0 | |
| 4 | 119144 | Washer | 華司 | 2 | 0 | |
| 5 | 130224 | Screw | 螺絲 | 2 | 0 | |
| 6 | 182451 | Screw | 螺絲 | 1 | 0 | |
| 7 | 119725 | Stud | 調整梢 | 1 | 0 | |
| 8 | 317170 | Screw | 螺絲 | 1 | 0 | |
| 9 | 168351 | Plug | 油蓋 | 1 | 0 | |
| 10 | 305174 | Washer | 華司 | 4 | 0 | |
| 11 | 135292 | Screw | 螺絲 | 4 | 0 | |
| 12 | 119121 | Collar | 主軸套管 | 1 | 0 | |
| 13 | 700689 | Screw | 螺絲 | 2 | 0 | |
| 14 | 016120 | Ball Bearing | 滾珠軸承 | 1 | 0 | |
| 15 | 305144 | Cover Plate | 邊蓋板 | 1 | 0 | |
| 16 | 058436 | Needle Plate(2.0) | 單針針板 | 1 | 0 | |
| | 058436-1 | Needle Plate(1.6) | 單針針板 | 1 | 0 | |
| 17 | 210168 | Screw | 螺絲 | 2 | 0 | |

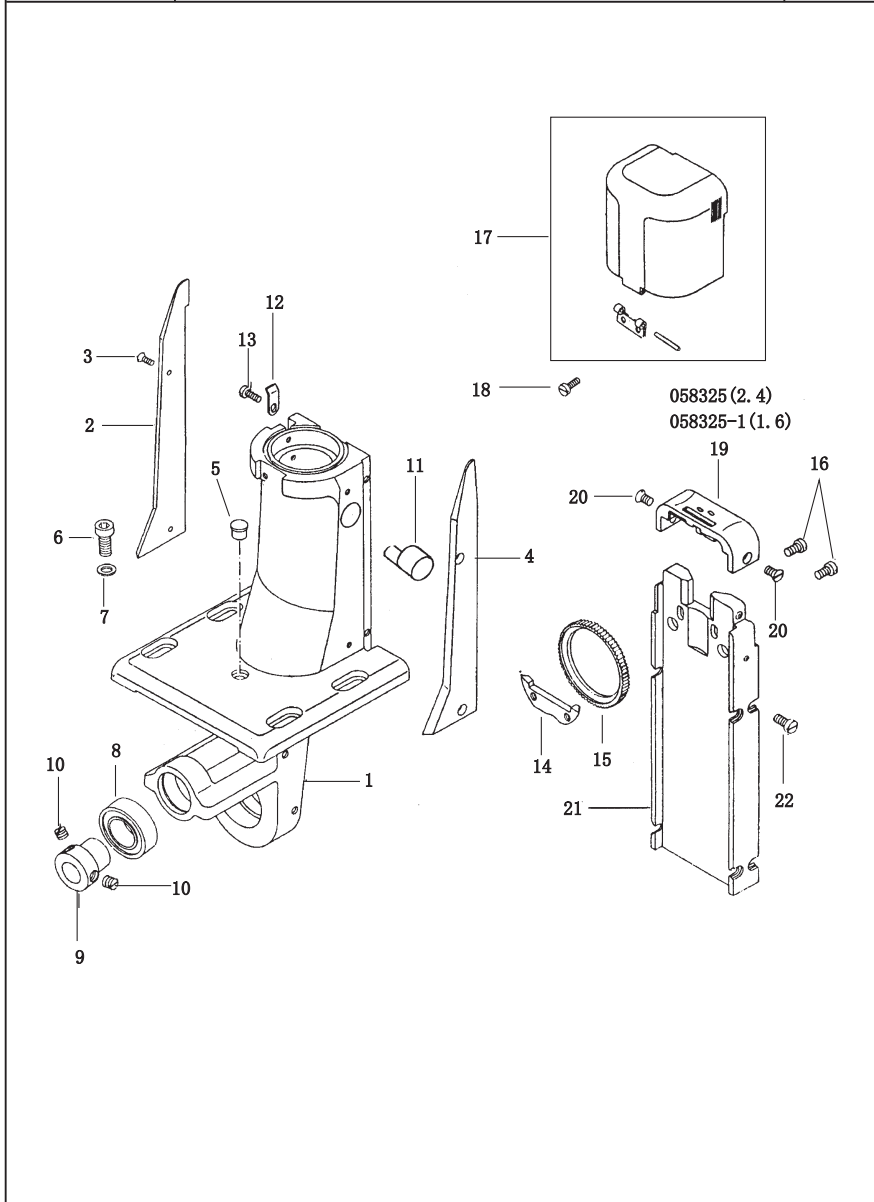
| | | | |
|-----------------------------|--------------|--|-----------|
| SIRUBA PARTS LIST | Series | Subject | Page |
| | R718K | BEDPLATE GEAR FEED MECHANISM 中座齒輪傳動機構 | 1 / 2 |
| | | | Date |
| | | | 2013/6/27 |



| | | | |
|-----------------------------|--------------|--|-----------|
| SIRUBA PARTS LIST | Series | Subject | Page |
| | R718K | BEDPLATE GEAR FEED MECHANISM 中座齒輪傳動機構 | 2 / 2 |
| | | | Date |
| | | | 2013/6/27 |

| Ref.No | Part No. | Name of Part | Amt.req | | Remarks | |
|--------|----------|-----------------------|-----------|-------|---------|---------|
| | | | R718K | R728K | | |
| 1 | 119795 | Roller Bracker | 送料齒輪軸 | 1 | 0 | |
| 1-1 | 119795-1 | Roller Bracker(Upper) | 送料齒輪軸 (上) | 1 | 0 | |
| 1-2 | 119795-2 | Roller Bracker(Lower) | 送料齒輪軸 (下) | 1 | 0 | |
| 1-3 | 119795-3 | Screw | 螺絲 | 1 | 0 | |
| 1-4 | 119795-4 | Screw | 螺絲 | 1 | 0 | |
| 1-5 | 119795-5 | Ball | 鋼珠 | 24 | 0 | |
| 2 | 119737 | Bevel Gear | 上下送料齒輪 | 1 | 0 | |
| 2-1 | 119737-1 | Roller Bracker | 送料齒輪軸 | 1 | 0 | |
| 2-2 | 119737-2 | Roller Bracker | 送料大齒輪 | 1 | 0 | |
| 2-3 | 119737-3 | Feed Wheel | 送料輪 | 1 | 0 | |
| 3 | 119723 | Bracket | 過綫齒輪座 | 1 | 0 | |
| 3-1 | 119723-1 | Screw | 螺絲 | 1 | 0 | |
| 3-2 | 119723-2 | Screw | 螺絲 | 2 | 0 | |
| 4 | 119670 | Collar | 定環 | 1 | 0 | |
| 4-1 | 119670-1 | Screw | 螺絲 | 2 | 0 | |
| 5 | 119724 | Bushing | 送料齒輪套環 | 1 | 0 | (1~5) |
| 6 | 119723A | Bevel Gear Assy | 送料齒輪組 | 1 | 0 | |
| 7 | 119535 | Bushing | 軸連接器 | 2 | 0 | |
| 8 | 119534 | Clutch | 塑膠接頭 | 1 | 0 | |
| 9 | 119535-1 | Screw | 螺絲 | 4 | 0 | (7~9) |
| 10 | 119535A | | 連杆接頭組 | 1 | 0 | |
| 11 | 119532 | Shaft | 中座軸 | 1 | 0 | |
| 11-1 | 119535-1 | Screw | 螺絲 | 2 | 0 | |
| 12 | 119533 | | 套管 | 1 | 0 | |
| 13 | 5045 | Bushing | 中座齒輪 (小) | 1 | 0 | |
| 14 | 5046 | Bevel Gear(Small) | 中座齒輪 (中) | 1 | 0 | |
| 15 | 700689 | Bevel Gear(Medium) | 螺絲 | 4 | 0 | (13~15) |
| 16 | 175113 | Screw | 中座齒輪組 | 1 | 0 | |

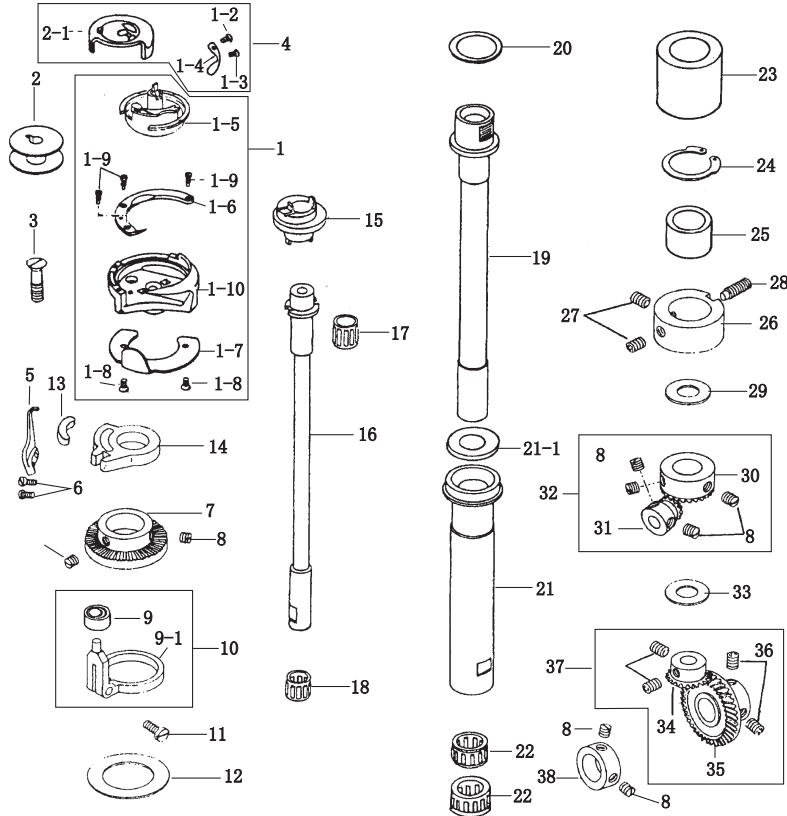
| | | | |
|-----------------------------|--------|--|-----------|
| SIRUBA PARTS LIST | Series | Subject | Page |
| | R728K | LEFT AND MIDDLE FEED MECHANISM 左邊座和中座傳動機構 | 1 / 2 |
| | | | Date |
| | | | 2013/6/27 |



| | | | |
|-----------------------------|--------|--|-----------|
| SIRUBA PARTS LIST | Series | Subject | Page |
| | R728K | LEFT AND MIDDLE FEED MECHANISM 左邊座和中座傳動機構 | 2 / 2 |
| | | | Date |
| | | | 2013/6/27 |

| Ref.No | Part No. | Name of Part | Amt.req | | Remarks |
|--------|----------|-----------------------------|---------|-------|---------|
| | | | R718K | R728K | |
| 1 | 119976 | Side Bracket(Left) 附耳邊座 (左) | 0 | 1 | |
| 2 | 119499 | Cover Plate 邊蓋板 | 0 | 1 | |
| 3 | 250084 | Screw 螺絲 | 0 | 4 | |
| 4 | 119695 | Cover Plate 邊蓋板 | 0 | 1 | |
| 5 | 168351 | Plug 油蓋 | 0 | 1 | |
| 6 | 135292 | Screw 螺絲 | 0 | 4 | |
| 7 | 305174 | Washer 橢圓華司 | 0 | 4 | |
| 8 | 016120 | Ball Bearing 滾珠軸承 | 0 | 1 | |
| 9 | 119121 | Collar 主軸套管 | 0 | 1 | |
| 10 | 700689 | Screw 螺絲 | 0 | 2 | |
| 11 | 175318 | Stud 調整梢 | 0 | 1 | |
| 12 | 119143 | Spring Plate 彈簧板 | 0 | 1 | |
| 13 | 108093 | Screw 螺絲 | 0 | 1 | |
| 14 | 119138 | Bearing Plate 固定板 | 0 | 1 | |
| 15 | 119136 | Feed Wheel 送料齒輪 | 0 | 1 | |
| 16 | 108174-1 | Screw 螺絲 | 0 | 2 | |
| 17 | 119140 | Post Cap Assy 釜蓋 | 0 | 2 | |
| 18 | 108093 | Screw 螺絲 | 0 | 2 | |
| 19 | 058325 | Needle Plate(2.4) 雙針針板 | 0 | 1 | |
| | 058325-1 | Needle Plate(1.6) 雙針針板 | 0 | 1 | |
| | 058325-2 | Needle Plate(2.0) 雙針針板 | 0 | 1 | |
| 20 | 100296 | Screw 螺絲 | 0 | 2 | |
| 21 | 119296 | Support Plate 雙針中座 | 0 | 1 | |
| 22 | 108174-1 | Screw 螺絲 | 0 | 8 | |

| | | | |
|-----------------------------|--------------|---|-----------|
| SIRUBA PARTS LIST | Series | Subject | Page |
| | R728K | LEFT BEDPLATE FEED MECHANISM 左邊座傳動機構 | 1 / 2 |
| | | | Date |
| | | | 2013/6/27 |

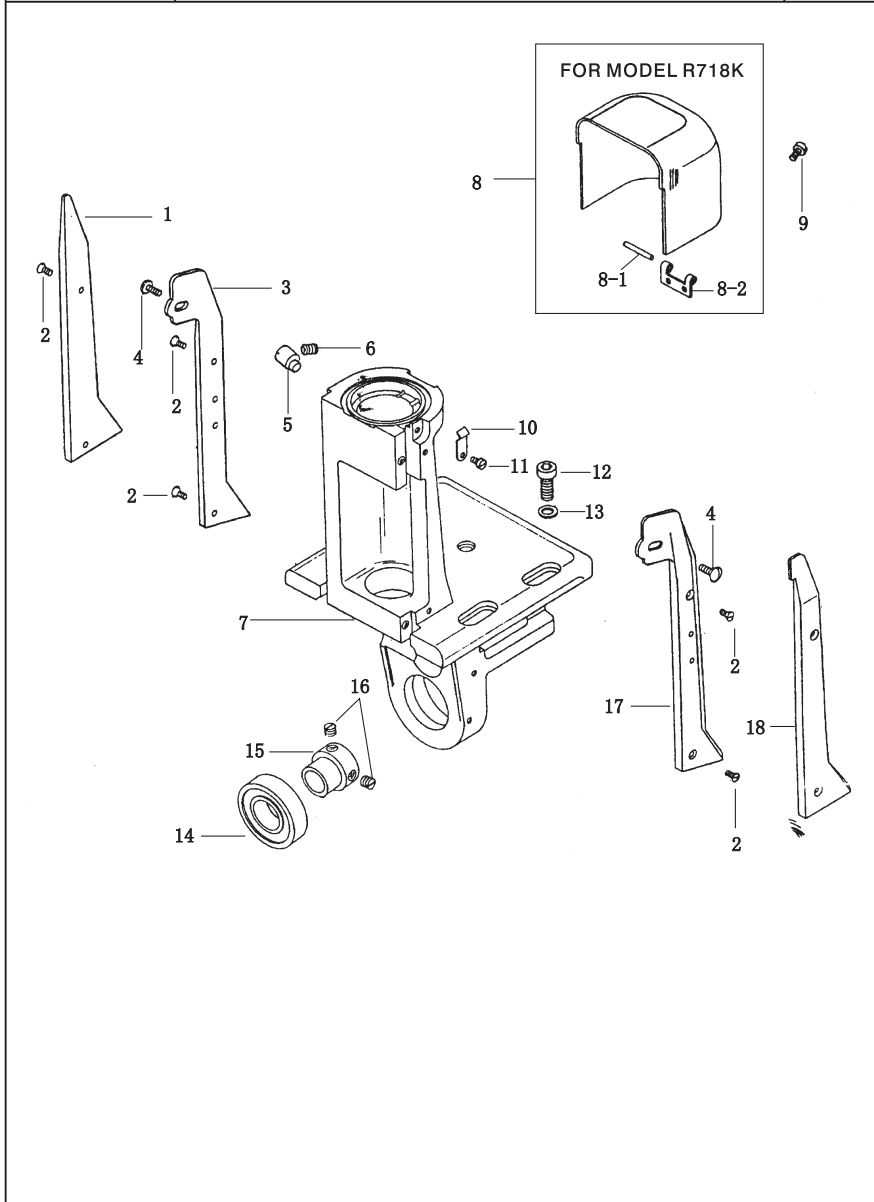


| Ref. No | Part NO | Name of Part | Amt. req | | Remarks |
|---------|---------|---------------------|----------|-------|---------|
| | | | R718K | R728K | |
| 1 | 119716A | Hook Assy | 0 | 1 | 1-1~10 |
| 1-2 | 000390 | Screw | 0 | 0 | |
| 1-3 | 000928 | Screw | 0 | 1 | |
| 1-4 | 010166 | Spring | 0 | 1 | |
| 1-5 | 119487 | B/C Base | 0 | 1 | |
| 1-6 | 175136 | Hook gib | 0 | 1 | |
| 1-7 | 119377 | Needle guard washer | 0 | 1 | |
| 1-8 | 000219 | Screw | 0 | 2 | |

| | | | |
|-----------------------------|--------------|---|-----------|
| SIRUBA PARTS LIST | Series | Subject | Page |
| | R728K | LEFT BEDPLATE FEED MECHANISM 左邊座傳動機構 | 2 / 2 |
| | | | Date |
| | | | 2013/6/27 |

| Ref.No | Part No. | Name of Part | Amt.req | | Remarks |
|--------|----------|------------------------------|---------|-------|-----------|
| | | | R718K | R728K | |
| 1-9 | 100529 | Screw | 0 | 3 | |
| 1-10 | 119376 | Hook | 0 | 1 | |
| 2 | 010079 | Bobbin | 0 | 1 | |
| 2-1 | 010158 | Bobbin Case | 0 | 1 | |
| 3 | 100205 | Screw | 0 | 2 | |
| 4 | 119716 | Bobbin Case Assy | 0 | 1 | |
| 5 | 119129 | Rotating Hook Opener | 0 | 1 | |
| 6 | 108093 | Screw | 0 | 2 | |
| 7 | 119494 | Driving Wheel | 0 | 1 | |
| 8 | 700689 | Screw | 0 | 8 | |
| 9 | 694ZZ | Ball Bearing | 0 | 1 | |
| 9-1 | 119106-1 | Driver | 0 | 1 | |
| 10 | 119106 | Driver | 0 | 1 | (9) |
| 11 | 108177 | Screw | 0 | 1 | |
| 12 | 119105 | Washer | 0 | 1 | |
| 13 | 119128 | Oilfelt | 0 | 1 | |
| 14 | 119127 | Rotating Hook Opener Bracket | 0 | 1 | |
| 15 | 119525-1 | Hook Driver | 0 | 1 | |
| 16 | 119525 | Hook Shaft | 0 | 1 | |
| 17 | 215031 | Needle Bearing | 0 | 1 | |
| 18 | 215028 | Needle Bearing | 0 | 1 | |
| 19 | 119108 | Feed Wheel Shaft | 0 | 1 | |
| 20 | 125010 | Washer | 0 | 1 | |
| 21 | 119104 | Pull-Off Shaft | 0 | 1 | |
| 21-1 | 119108-1 | Washer | 0 | 1 | |
| 22 | 141710 | Needle Bearing | 0 | 2 | |
| 23 | 119979 | Bushing | 0 | 1 | |
| 24 | 664390 | Retaining ring | 0 | 1 | |
| 25 | 175138 | Bushing | 0 | 1 | |
| 26 | 119107 | Bushing | 0 | 1 | |
| 27 | 341901 | Screw | 0 | 2 | |
| 28 | 119950 | Screw | 0 | 1 | |
| 29 | 119947 | Washer(0.2) | 0 | 1 | |
| 29-1 | 119957 | Washer(0.1) | 0 | 2 | |
| 29-2 | 119958 | Washer(0.15) | 0 | 1 | |
| 29-3 | 119959 | Washer(0.5) | 0 | 1 | |
| 29-4 | 119960 | Washer(2.0) | 0 | 1 | |
| 30 | 119109-1 | Bevel Gear(Large) | 0 | 1 | |
| 31 | 119109-2 | Bevel Gear(Small) | 0 | 1 | |
| 32 | 119109 | Bevel Gear Assy | 0 | 1 | (8,30,31) |
| 33 | 125010 | Washer(0.5) | 0 | 2 | |
| 33-1 | 122718 | Washer(0.1) | 0 | 1 | |
| 33-2 | 125008 | Washer(0.15) | 0 | 1 | |
| 33-3 | 125009 | Washer(0.2) | 0 | 1 | |
| 34 | 119133-1 | Bevel Gear(Small) | 0 | 1 | |
| 35 | 119133-2 | Bevel Gear(Large) | 0 | 1 | |
| 36 | 341901-1 | Screw | 0 | 2 | |
| 37 | 119133 | Gear Set | 0 | 1 | (8,34~36) |
| 38 | 123778 | Collar | 0 | 1 | |

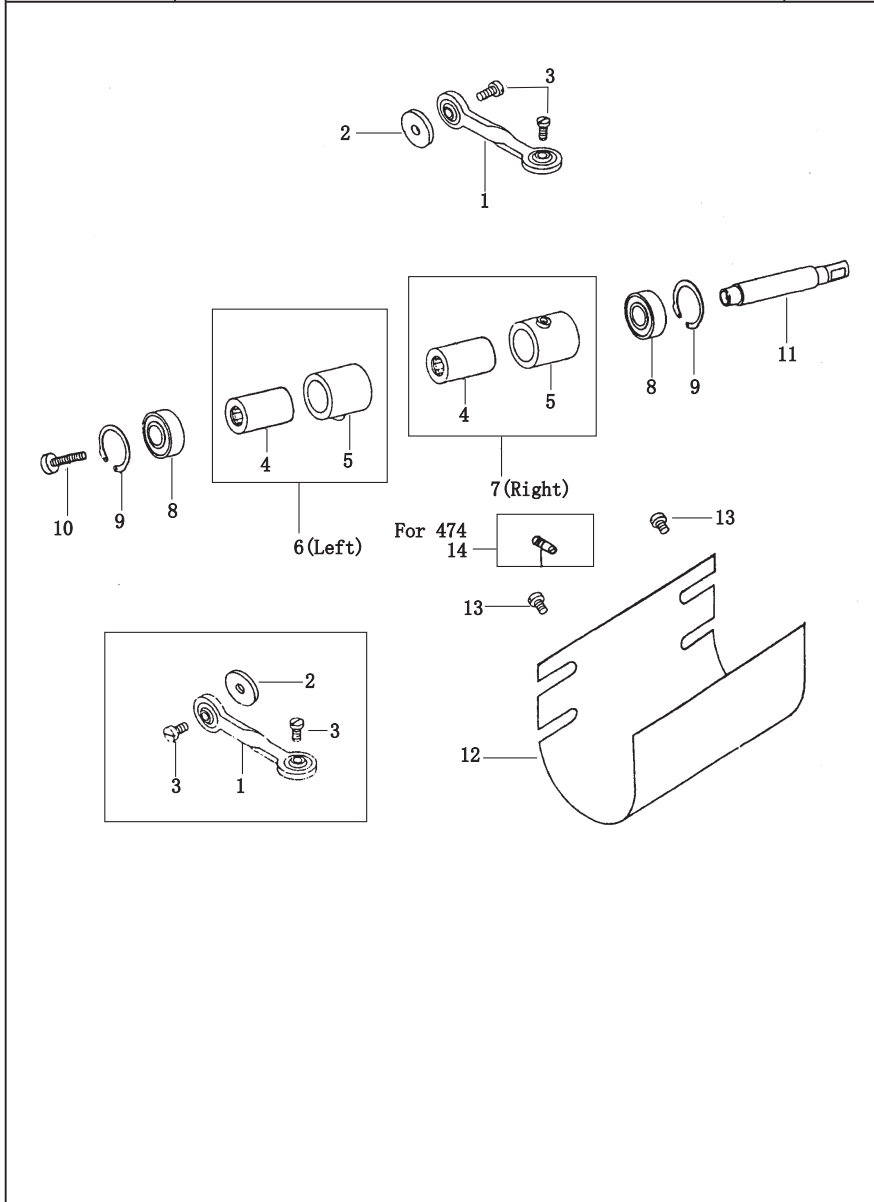
| | | | |
|-----------------------------|-------------|---|-----------|
| SIRUBA PARTS LIST | Series | Subject | Page |
| | R718K/R728K | RIGHT SIDE BRACKET MECHANISM 右邊座傳動機構 | 1 / 2 |
| | | | Date |
| | | | 2013/6/27 |



| | | | |
|-----------------------------|-------------|---|-----------|
| SIRUBA PARTS LIST | Series | Subject | Page |
| | R718K/R728K | RIGHT SIDE BRACKET MECHANISM 右邊座傳動機構 | 2 / 2 |
| | | | Date |
| | | | 2013/6/27 |

| Ref.No | Part No. | Name of Part | Amt.req | | Remarks |
|--------|----------|--------------------------|---------|-------|---------|
| | | | R718K | R728K | |
| 1 | 119695 | Cover Plate 邊蓋板 | 0 | 1 | |
| 2 | 250084 | Screw 螺絲 | 4 | 4 | |
| 3 | 175267 | Cover Plate 邊蓋板 | 1 | 0 | |
| 4 | 700336 | Screw 螺絲 | 2 | 0 | |
| 5 | 175318 | Stud 調整梢 | 1 | 1 | |
| 6 | 330217 | Screw 螺絲 | 1 | 1 | |
| 7 | 175324 | Side Bracket(Right) 單針邊座 | 1 | 0 | |
| 7-1 | 119168 | Side Bracket(Right) 單針邊座 | 0 | 1 | |
| 8 | 119436 | Post Cap Assy 釜蓋 | 1 | 0 | |
| 9 | 108093 | Screw 螺絲 | 2 | 0 | |
| 10 | 119143 | Spring Plate 彈簧板 | 1 | 1 | |
| 11 | 108093 | Screw 螺絲 | 1 | 1 | |
| 12 | 135292 | Screw 螺絲 | 4 | 4 | |
| 13 | 305174 | Washer 橢圓華司 | 4 | 4 | |
| 14 | 016120 | Ball Bearing 滾珠軸承 | 1 | 1 | |
| 15 | 119121 | Collar 主軸套管 | 1 | 1 | |
| 16 | 700689 | Screw 螺絲 | 2 | 2 | |
| 17 | 175234 | Cover Plate 邊蓋板 | 1 | 0 | |
| 18 | 119499 | Cover Plate 邊蓋板 | 0 | 1 | |

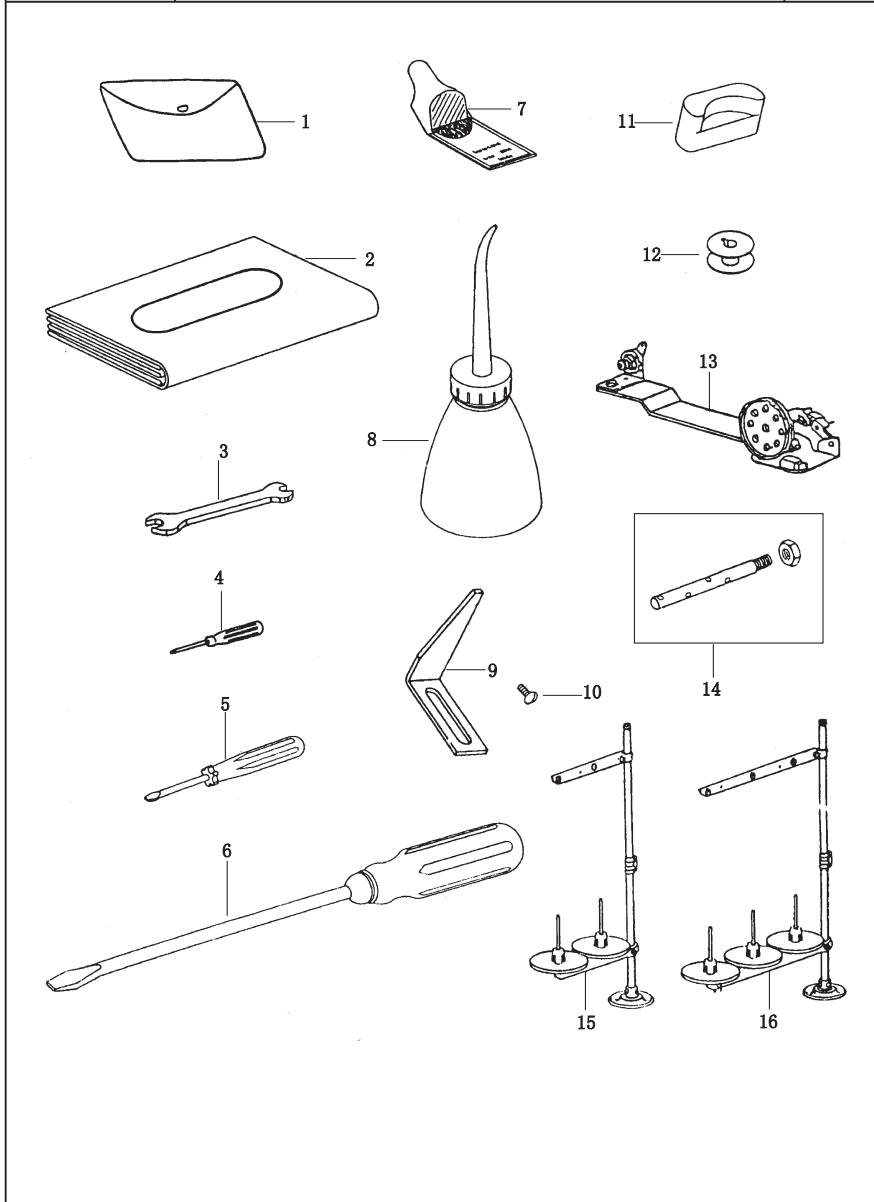
| | | | |
|-----------------------------|-------------|----------------------------|-----------|
| SIRUBA PARTS LIST | Series | Subject | Page |
| | R718K/R728K | FEED MECHANISM 單向齒輪傳動機構 | 1 / 2 |
| | | | Date |
| | | | 2013/6/27 |



| | | | |
|-----------------------------|-------------|----------------------------|-----------|
| SIRUBA PARTS LIST | Series | Subject | Page |
| | R718K/R728K | FEED MECHANISM 單向齒輪傳動機構 | 2 / 2 |
| | | | Date |
| | | | 2013/6/27 |

| Ref.No | Part No. | Name of Part | Amt.req | | Remarks |
|--------|----------|---------------------------------|---------|-------|---------|
| | | | R718K | R728K | |
| 1 | 119507 | Link 萬向軸承拉杆 | 2 | 1 | |
| 2 | 119087 | Oil Felt 油棉 | 2 | 1 | |
| 3 | 174176 | Screw 螺絲 | 4 | 2 | |
| 4 | 061014 | Needle Bearing 針狀軸承 | 2 | 2 | |
| 5 | 119115-1 | Free-Wheeling Seat 單向培林座 | 2 | 2 | |
| 6 | 119112 | Free-Wheeling(left) 單向培林座組 (左) | 1 | 1 | (4, 5) |
| 7 | 119115 | Free-Wheeling(Right) 單向培林座組 (右) | 1 | 1 | (4, 5) |
| 8 | 012555 | Ball Bearing 滾珠軸承 | 2 | 2 | |
| 9 | 664350 | Retaining Ring C型扣環 | 2 | 2 | |
| 10 | 173174 | Screw 螺絲 | 1 | 1 | |
| 11 | 119111 | Shaft 培林軸 | 1 | 1 | |
| 12 | 119216 | Housing Front Section 護片 | 1 | 1 | |
| 13 | 108174 | Screw 螺絲 | 4 | 4 | |
| 14 | 119115-3 | Screw 螺絲 | 0 | 1 | |

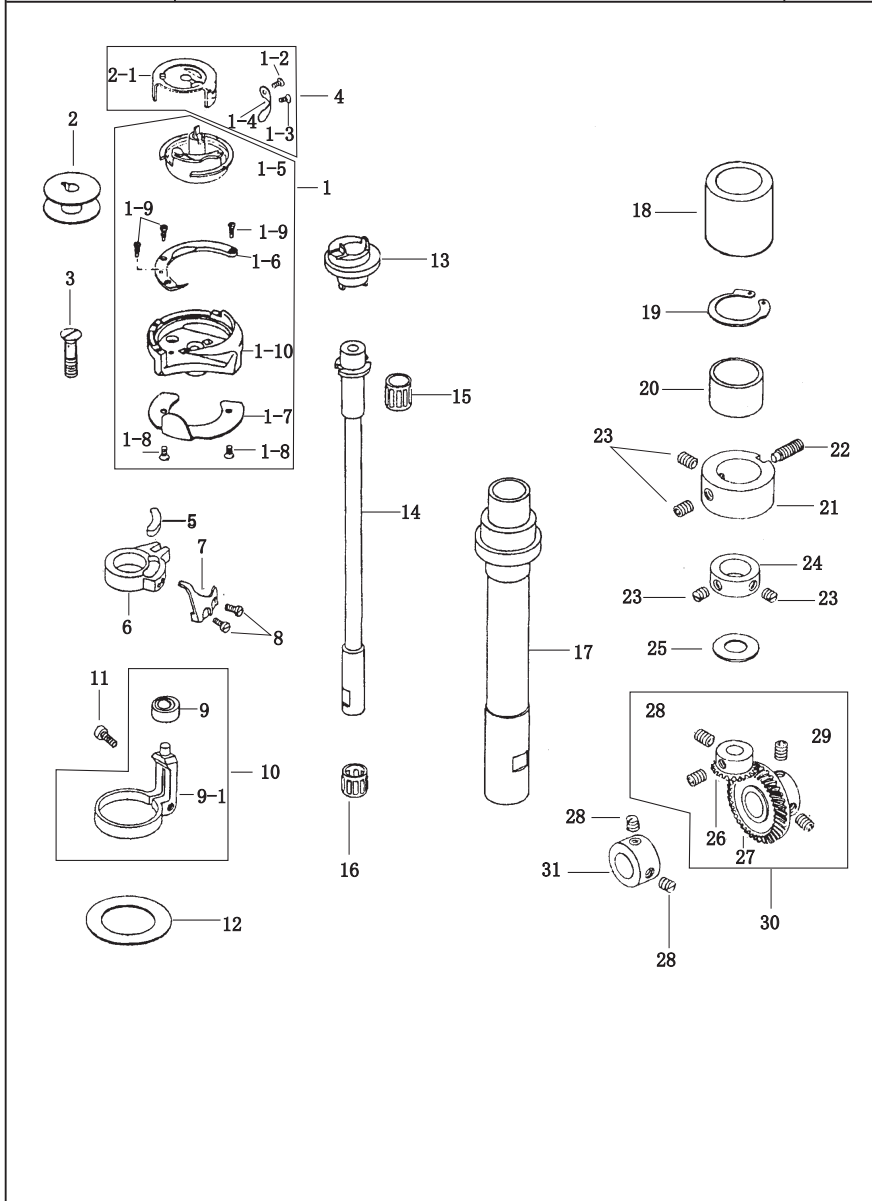
| | | | |
|-----------------------------|-------------|-----------------------|-----------|
| SIRUBA PARTS LIST | Series | Subject | Page |
| | R718K/R728K | SPECIAL PARTS 特殊配件 | 1 / 2 |
| | | | Date |
| | | | 2013/6/27 |



| | | | |
|-----------------------------|-------------|-----------------------|-----------|
| SIRUBA PARTS LIST | Series | Subject | Page |
| | R718K/R728K | SPECIAL PARTS 特殊配件 | 2 / 2 |
| | | | Date |
| | | | 2013/6/27 |

| Ref.No | Part No. | Name of Part | Amt.req | | Remarks |
|--------|----------|--------------------------------|---------|-------|---------|
| | | | R718K | R728K | |
| 1 | 123456 | Accessory Bag 零件袋 | 1 | 1 | |
| 2 | 029836 | Vinyl Cover 車頭蓋 | 1 | 1 | |
| 3 | 800110 | Spanner 扳手 | 1 | 1 | |
| 4 | 129915 | Screw Driver(Small) 螺絲起子(小) | 1 | 1 | |
| 5 | 029946 | Screw Driver(Middle) 螺絲起子(中) | 1 | 1 | |
| 6 | 029007 | Screw Driver(Large) 螺絲起子(大) | 1 | 1 | |
| 7 | 134356 | Needle 針 | 10 | 10 | |
| 8 | 029374 | Oiler 油壺 | 1 | 1 | |
| 9 | 119089-1 | Stitching Length Indicator 指示針 | 1 | 1 | |
| 10 | 100355 | Screw 螺絲 | 1 | 1 | |
| 11 | 032808 | Head Cushion 腳墊(小) | 2 | 2 | |
| 12 | 010079 | Bobbin 梭仔 | 4 | 4 | |
| 13 | 259431 | Bobbin Winder 捲線器 | 1 | 1 | |
| 14 | 119026 | Spool Pin 過線桿 | 1 | 1 | |
| 15 | FPL2 | Thread Stand(2-Pole) 單針捲架 | 1 | 0 | |
| 16 | FPL3 | Thread Stand(3-Pole) 雙針捲架 | 0 | 1 | |

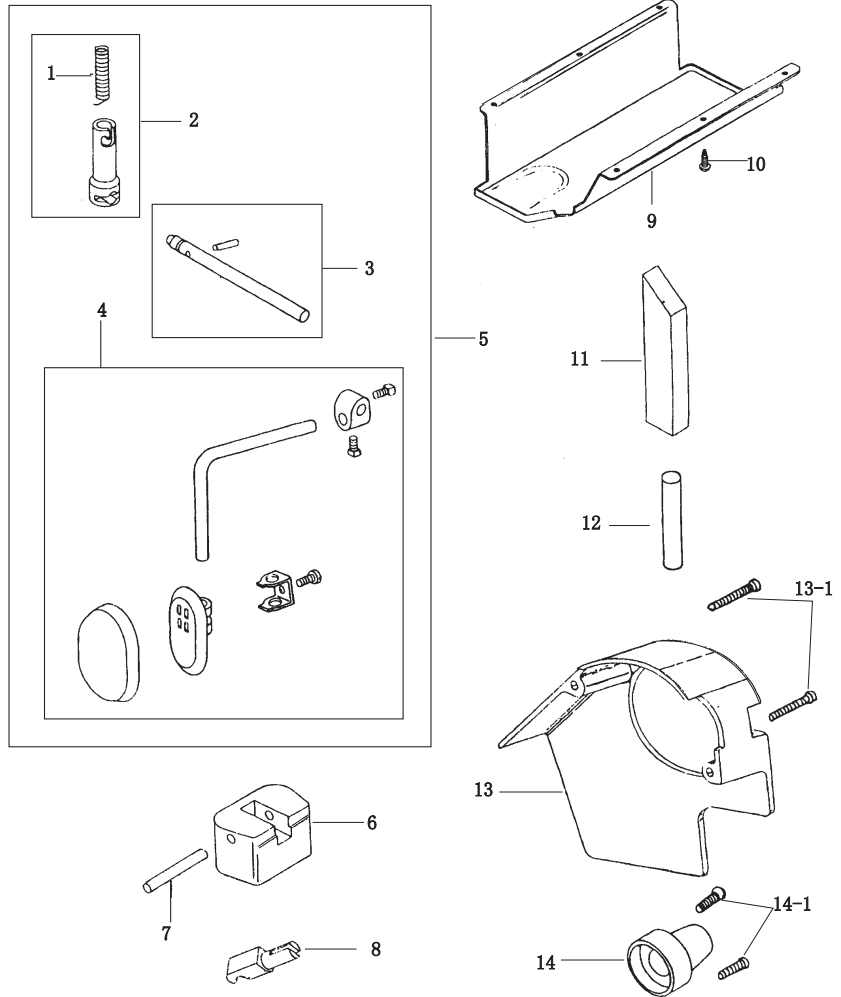
| | | | |
|-----------------------------|-------------|--|-----------|
| SIRUBA PARTS LIST | Series | Subject | Page |
| | R718K/R728K | RIGHT BEDPLATE FEED MECHANISM 右邊座傳動機構 | 1 / 2 |
| | | | Date |
| | | | 2013/6/27 |



| | | | |
|-----------------------------|-------------|--|-----------|
| SIRUBA PARTS LIST | Series | Subject | Page |
| | R718K/R728K | RIGHT BEDPLATE FEED MECHANISM 右邊座傳動機構 | 2 / 2 |
| | | | Date |
| | | | 2013/6/27 |

| Ref.No | Part No. | Name of Part | Amt.req | | Remarks |
|--------|----------|------------------------------|---------|-------|-----------|
| | | | R718K | R728K | |
| 1 | 119716A | Hook Assy | 卡馬組 | 1 | 1 |
| 1-2 | 000390 | Screw | 螺絲 | 1 | 2 |
| 1-3 | 000928 | Screw | 螺絲 | 1 | 1 |
| 1-4 | 010166 | Spring | 彈簧 | 1 | 1 |
| 1-5 | 119487 | B/C Base | 梭仔座 | 1 | 1 |
| 1-6 | 175136 | Hook gib | 內梭頭舌 | 1 | 1 |
| 1-7 | 119377 | Needle guard washer | 護針片 | 1 | 1 |
| 1-8 | 000219 | Screw | 螺絲 | 2 | 2 |
| 1-9 | 100529 | Screw | 螺絲 | 3 | 6 |
| 1-10 | 119376 | Nook | 梭頭 | 1 | 1 |
| 2 | 010079 | Bobbin | 梭仔子 | 1 | 1 |
| 2-1 | 010158 | Bibbin Case | 梭殼 | 1 | 2 |
| 3 | 100205 | Screw | 螺絲 | 1 | 2 |
| 4 | 119716 | Bobbin case Assy | 梭殼組 | 1 | 1 |
| 5 | 119128 | Oil Felt | 油棉 | 1 | 1 |
| 6 | 119127 | Rotating Hook Opener Bracket | 牛角座 | 1 | 1 |
| 7 | 119129 | Rotating Hook Opener | 牛角 | 1 | 1 |
| 8 | 108093 | Screw | 螺絲 | 2 | 2 |
| 9 | 694ZZ | Ball Bearing | 滾珠軸承 | 1 | 1 (9) |
| 9-1 | 119106-1 | Driver | 固定座 | 1 | 1 |
| 10 | 119106 | Driver | 牛角固定座 | 1 | 1 |
| 11 | 108177 | Screw | 螺絲 | 1 | 1 |
| 12 | 119105 | Washer | 華司 | 1 | 1 |
| 13 | 119525-1 | Hook Driver | 梭軸頭 | 1 | 1 |
| 14 | 119525 | Hook Shaft | 釜軸 | 1 | 1 |
| 15 | 215031 | Needle Bearing | 針狀軸承 | 1 | 1 |
| 16 | 215028 | Needle Bearing | 針狀軸承 | 1 | 1 |
| 17 | 119524 | Feed Wheel Shaft | 釜軸中套管 | 1 | 1 |
| 18 | 119979 | Bushing | 釜軸套管 | 1 | 1 |
| 19 | 664390 | Retaining Ring | C型扣環 | 1 | 1 |
| 20 | 175138 | Bushing | 偏心軸 | 1 | 1 |
| 21 | 119107 | Bushing | 釜軸套管 | 1 | 1 |
| 22 | 119950 | Screw | 螺絲 | 1 | 1 |
| 23 | 341901 | Screw | 螺絲 | 4 | 4 |
| 24 | 131088 | Collar | 定環 | 1 | 1 |
| 25 | 125010 | Washer(0.5) | 華司 | 2 | 2 |
| 25-1 | 122718 | Washer(0.1) | 華司 | 1 | 1 |
| 25-2 | 125008 | Washer(0.15) | 華司 | 1 | 1 |
| 25-3 | 125009 | Washer(0.2) | 華司 | 1 | 1 |
| 26 | 119133-1 | Bevel Gear(Small) | 齒輪 (小) | 1 | 1 |
| 27 | 119133-2 | Bevel Gear(Large) | 齒輪 (大) | 1 | 1 |
| 28 | 700689 | Screw | 螺絲 | 4 | 4 |
| 29 | 341901-1 | Screw | 螺絲 | 2 | 2 |
| 30 | 119133 | Gear Set | 釜軸齒輪組 | 1 | 1 (26~29) |
| 31 | 123778 | Collar | 定環 | 1 | 1 |

| | | | |
|-----------------------------|-------------|-------------------|-----------|
| SIRUBA PARTS LIST | Series | Subject | Page |
| | R718K/R728K | ACCESSORIES 附件 | 1 / 2 |
| | | | Date |
| | | | 2013/6/27 |



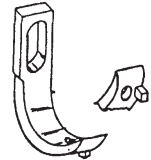
| | | | |
|-----------------------------|-------------|-------------------|-----------|
| SIRUBA PARTS LIST | Series | Subject | Page |
| | R718K/R728K | ACCESSORIES 附件 | 2 / 2 |
| | | | Date |
| | | | 2013/6/27 |

| Ref.No | Part No. | Name of Part | Amt.req | | Remarks |
|--------|----------|--------------------------------|---------|-------|---------|
| | | | R718K | R728K | |
| 1 | 171543 | Spring 彈簧 | 1 | 1 | |
| 2 | 171542 | Knee Lever Coupling 腳押連杆頭 | 1 | 1 | |
| 3 | 171413 | Knee Lever Rod 腳押軸 | 1 | 1 | |
| 4 | 171412 | Knee Lever Assy 腳弓組 | 1 | 1 | (2~4) |
| 5 | 171411 | Knee Lecer Rod Assy 腳弓押組 | 1 | 1 | |
| 6 | 029934 | Hinge Connection Seat 後鈕腳墊 (大) | 2 | 2 | |
| 7 | 030341 | Pin 平行梢 | 2 | 2 | |
| 8 | 029450 | Hinge Pir 後鈕鈎 | 2 | 2 | |
| 9 | 118636 | Oil Pan 油槽 | 1 | 1 | |
| 10 | 460157 | Screw 螺絲 | 6 | 6 | |
| 11 | 032717 | Head Rest Wood 枕木 | 1 | 1 | |
| 12 | 032717-1 | Housing Support Stud 固定梢 | 1 | 1 | |
| 13 | 119078 | Belt Cover Set(Large) 皮帶蓋 (大) | 1 | 1 | |
| 13-1 | 119089-2 | Screw 螺絲 | 2 | 2 | |
| 14 | 119088 | Belt Cover Set(small) 皮帶蓋 (小) | 1 | 1 | |
| 14-1 | 119078-1 | Screw 螺絲 | 2 | 2 | |

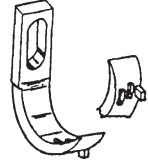
| | | | |
|-----------------------------|--------------|--------------------|-----------|
| SIRUBA PARTS LIST | Series | Subject | Page |
| | R728K | PRESSER FEET 壓腳 | 1 / 1 |
| | | | Date |
| | | | 2013/6/27 |



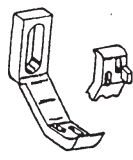
9920-1



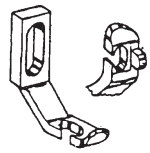
9920-2



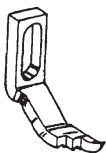
9920-3



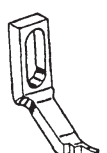
9920-4



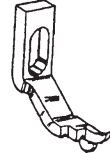
9920-5



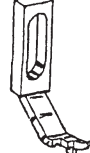
9920-6



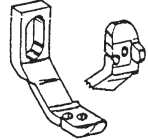
9920-7



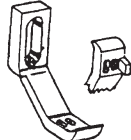
9920-8



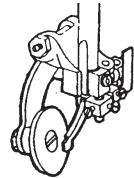
9920-9



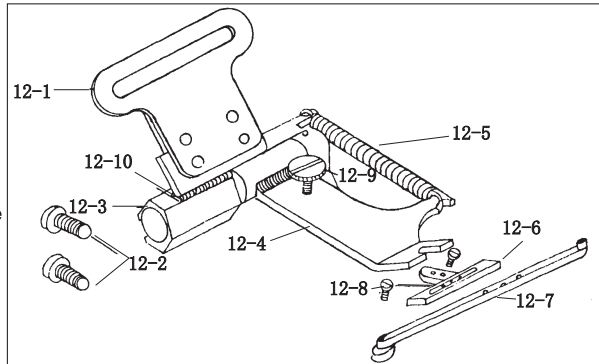
9920-10



9920-11



9920-K2



9920-12
R728K Gauge

索引 INDEX

| PART NO | REF PAGE | PART NO | REF PAGE | PART NO | REF PAGE |
|----------|----------|----------|-------------|----------|-------------|
| FPL2 | 65 | 100205 | 57.63 | 118858 | 37 |
| FPL3 | 65 | 100296 | 55 | 118893 | 47 |
| 694Z | 57.63 | 100331 | 41 | 119004 | 41 |
| 5045 | 53 | 100355 | 39.65 | 119007 | 31 |
| 5046 | 53 | 100529 | 57.63 | 119008 | 31 |
| 6906 | 45 | 108093 | 55.57.59.63 | 119009 | 31 |
| 000219 | 57.63 | 108171 | 41 | 119013 | 31 |
| 000390 | 57.63 | 108174 | 61 | 119014 | 39 |
| 000928 | 57.63 | 108174-1 | 37.55 | 119015 | 39 |
| 009343 | 49 | 108177 | 35.47.57.63 | 119016 | 41 |
| 009408 | 49 | 108219 | 39 | 119018 | 41 |
| 010079 | 57.63.65 | 108225 | 23.35.47 | 119018-1 | 41 |
| 010158 | 57.63 | 108225-2 | 35 | 119018-2 | 41 |
| 010166 | 57.63 | 108234 | 23 | 119019 | 41 |
| 012555 | 61 | 108246 | 23 | 119019-1 | 41 |
| 013076 | 49 | 108285 | 37 | 119026 | 65 |
| 013153 | 49 | 108285-1 | 23.39 | 119027 | 23 |
| 016120 | 51.55.59 | 108294 | 27 | 119039 | 23 |
| 016153 | 33 | 118084 | 31 | 119042 | 35 |
| 018613 | 43 | 118105 | 41 | 119042-2 | 35 |
| 018624 | 43 | 118195 | 37 | 119046 | 37 |
| 018643 | 33 | 118195-1 | 37 | 119049 | 31 |
| 020490 | 37 | 118196 | 37 | 119078 | 67 |
| 024191 | 37 | 118197 | 37 | 119078-1 | 67 |
| 025874 | 41 | 118198 | 37 | 119081A | 49 |
| 029007 | 65 | 118430 | 23 | 119084 | 47 |
| 029394 | 65 | 118503 | 35.39 | 119085 | 35.47 |
| 029450 | 67 | 118504 | 35.39 | 119087 | 27.61 |
| 029836 | 65 | 118518 | 31 | 119088 | 67 |
| 029934 | 67 | 118520 | 39 | 119081-1 | 23 |
| 029946 | 65 | 118520-1 | 39 | 119089-1 | 65 |
| 030310 | 37 | 118521 | 39 | 119089-2 | 23 |
| 030341 | 67 | 118530 | 41 | 119091 | 23 |
| 032717 | 67 | 118535 | 41 | 119092 | 23 |
| 032717-1 | 67 | 118536 | 41 | 119097 | 43 |
| 032808 | 65 | 118536-1 | 41 | 119104 | 57 |
| 033145 | 29 | 118536A | 41 | 119105 | 57.63 |
| 039177 | 31 | 118539 | 41 | 119106 | 57.63 |
| 049657 | 41 | 118542 | 41 | 119106-1 | 57 |
| 049657-1 | 41 | 118543 | 37 | 119107 | 57.63 |
| 054876 | 41 | 118543A | 37 | 119108 | 57 |
| 058325 | 55 | 118544 | 37 | 119108-1 | 57 |
| 058235-1 | 55 | 118545 | 37 | 119109 | 57 |
| 058436 | 51 | 118553 | 25 | 119109-1 | 57 |
| 058436-1 | 51 | 118577 | 41 | 119109-2 | 57 |
| 061014 | 27.61 | 118594 | 39 | 119111 | 61 |
| 065052 | 49 | 118600 | 35.39.47 | 119112 | 61 |
| 069037 | 49 | 118601 | 47 | 119115 | 61 |
| 069079 | 41 | 118603 | 47 | 119115-1 | 61 |
| 069160 | 33 | 119610 | 39 | 119115-3 | 61 |
| 069160-1 | 33 | 118612 | 37.45 | 119121 | 43.51.55.59 |
| 069161 | 43 | 118636 | 67 | 119127 | 57.63 |
| 069161-1 | 43 | 118726 | 43 | 119128 | 57.63 |
| 069746 | 33 | 118857 | 37 | 119129 | 57.63 |

索引
INDEX

| PART NO | REF PAGE | PART NO | REF PAGE | PART NO | REF PAGE |
|-----------|----------|----------|----------|----------|-------------------|
| 119133 | 57.63 | 119503 | 27 | 119795 | 53 |
| 119133-1 | 57.63 | 119505 | 27 | 119795-1 | 53 |
| 119133-2 | 57.63 | 119506 | 27 | 119795-2 | 53 |
| 119136 | 55 | 119507 | 27.61 | 119795-3 | 53 |
| 119138 | 55 | 119511 | 35 | 119795-4 | 53 |
| 119140 | 55 | 119521 | 47 | 119795-5 | 53 |
| 119143 | 55.59 | 119521-1 | 47 | 119802 | 29 |
| 119144 | 51 | 119524 | 63 | 119803 | 29 |
| 119145 | 51 | 119525 | 57.63 | 119803-1 | 29 |
| 119150 | 27 | 119525-1 | 57 | 119807 | 29 |
| 119158 | 27 | 119525-2 | 37 | 119886 | 27 |
| 119159 | 27 | 119532 | 53 | 119940 | 39 |
| 119160 | 27 | 119533 | 53 | 119940-4 | 39 |
| 119161 | 43 | 119534 | 53 | 119940-5 | 39 |
| 119163 | 35.47 | 119535 | 53 | 119943 | 29 |
| 119164 | 35.47 | 119535-1 | 53 | 119947 | 57 |
| 119165 | 41 | 119535A | 53 | 119950 | 57.63 |
| 119165-1 | 41 | 119670 | 53 | 119953 | 29 |
| 119168 | 59 | 119670-1 | 53 | 119954 | 29 |
| 119171 | 25 | 119686 | 23 | 119955 | 29 |
| 119171-1 | 25 | 119687 | 23 | 559956 | 29 |
| 119171-2 | 25 | 119695 | 55.59 | 119957 | 57 |
| 119171-3 | 25 | 119702-1 | 33 | 119958 | 57 |
| 119171-4 | 25 | 119702-2 | 33 | 119959 | 57 |
| 119171-5 | 25 | 119702-3 | 33 | 119960 | 57 |
| 119171-6 | 25 | 119702-4 | 33 | 119961 | 27 |
| 119171-7 | 25 | 119702-5 | 33 | 119962 | 27 |
| 119171-8 | 25 | 119702-6 | 33 | 119963 | 27 |
| 119171-9 | 25 | 119702A | 35 | 119976 | 55 |
| 119171-10 | 25 | 119705 | 33 | 119979 | 57.63 |
| 119171-11 | 25 | 119706 | 43 | 122718 | 57.63 |
| 119171-12 | 25 | 119707 | 33.43 | 123456 | 65 |
| 119171-13 | 25 | 119708 | 43 | 123778 | 57.63 |
| 119171-14 | 25 | 119711 | 49 | 123788 | 63 |
| 119171-15 | 25 | 119716 | 57.63 | 125008 | 57.63 |
| 119171-16 | 25 | 119716A | 57.63 | 125009 | 57.63 |
| 119171-17 | 25 | 119718 | 37 | 125010 | 57.63 |
| 119171-18 | 25 | 119718-2 | 37 | 129915 | 65 |
| 119171-19 | 25 | 119721 | 51 | 130173 | 41 |
| 119171-20 | 25 | 119723 | 53 | 130188 | 63 |
| 119171-21 | 25 | 119723-1 | 53 | 130224 | 33.35.37.39.47.51 |
| 119171-22 | 25 | 119723-2 | 53 | 130224-1 | 37 |
| 119171-23 | 25 | 119723A | 53 | 133109 | 49 |
| 119171-24 | 25 | 119724 | 53 | 133116 | 29 |
| 119216 | 61 | 119725 | 51 | 133116-1 | 29 |
| 119296 | 55 | 119737 | 53 | 133283 | 35.39.47 |
| 119376 | 57.63 | 119737-1 | 53 | 134356 | 37.65 |
| 119377 | 57.63 | 119737-2 | 53 | 135292 | 51.55.59 |
| 119436 | 59 | 119737-3 | 53 | 141710 | 57.63 |
| 119469 | 29 | 119762 | 31 | 165356 | 45 |
| 119487 | 57.63 | 119763 | 31 | 165356-1 | 45 |
| 119491 | 29 | 119765 | 31 | 165356-2 | 45 |
| 119494 | 57 | 119766 | 25 | 165356-3 | 45 |
| 119499 | 55.59 | 119766-1 | 25 | 165356-4 | 45 |

索引
INDEX

| PART NO | REF PAGE | PART NO | REF PAGE | PART NO | REF PAGE |
|-----------|----------|----------|----------------|----------|----------|
| 165356-5 | 45 | 175108-1 | 29 | 610280 | 47 |
| 165356-6 | 45 | 175108-2 | 29 | 610300 | 43 |
| 165356-7 | 45 | 175108-3 | 29 | 610370 | 35 |
| 165356-8 | 45 | 175109 | 29 | 640120 | 27 |
| 167569 | 31 | 175109-1 | 29 | 640130 | 49 |
| 167570 | 31 | 175109-2 | 29 | 640150 | 37.41.49 |
| 168039 | 31 | 175109-3 | 29 | 640210 | 27 |
| 168041 | 31 | 175109-4 | 29 | 660290 | 27 |
| 168046 | 31 | 175109-5 | 29 | 664290 | 29 |
| 168047 | 31 | 175109-6 | 29 | 664350 | 61 |
| 168061 | 23 | 175109-7 | 29 | 664390 | 57.63 |
| 168351 | 51.55 | 175113 | 53 | 700017 | 41 |
| 168480 | 33 | 175126 | 49 | 700335 | 23 |
| 169137 | 37 | 175135 | 41 | 700336 | 59 |
| 170913 | 33 | 175136 | 57.63 | 700412 | 25 |
| 171411 | 67 | 175138 | 57.63 | 700412-1 | 25 |
| 171412 | 67 | 175150 | 35.37 | 700510 | 33.41.49 |
| 171413 | 67 | 175234 | 59 | 700510-1 | 41 |
| 171542 | 67 | 175267 | 59 | 700785 | 41 |
| 171543 | 67 | 175318 | 55.59 | 700868 | 37 |
| 173174 | 29.41.61 | 175324 | 59 | 700868-1 | 37 |
| 173261 | 49 | 182451 | 51 | 706169 | 39 |
| 173263 | 49 | 210043 | 29 | 756901 | 27 |
| 173264 | 49 | 210168 | 51 | 800110 | 65 |
| 174173 | 37 | 210210 | 23 | | |
| 174176 | 27.61 | 210265 | 33 | | |
| 175019 | 49 | 210287 | 33 | | |
| 175023 | 49 | 215022 | 31 | | |
| 175025 | 49 | 215028 | 35.37.45.57.63 | | |
| 175029 | 45 | 215031 | 57.63 | | |
| 175029-1 | 45 | 215124 | 35.39.47 | | |
| 175029-2 | 45 | 218080 | 31 | | |
| 175029-3 | 45 | 242810 | 35 | | |
| 175029-4 | 45 | 250084 | 51.55.59 | | |
| 175029-5 | 45 | 259431 | 65 | | |
| 175029-6 | 45 | 305144 | 51 | | |
| 175029-7 | 45 | 305174 | 51.55.59 | | |
| 175029-8 | 45 | 305305 | 37 | | |
| 175029-9 | 45 | 314220 | 31 | | |
| 175029-10 | 45 | 314286 | 39.41 | | |
| 175029-11 | 45 | 314946 | 23 | | |
| 175029-12 | 45 | 317170 | 51 | | |
| 175029-13 | 45 | 317950 | 41 | | |
| 175038 | 45 | 330217 | 59 | | |
| 175038A | 45 | 335902 | 33.43 | | |
| 175048 | 33 | 335902-1 | 33.43.47 | | |
| 175096 | 37 | 341901 | 49.57.63 | | |
| 175096-1 | 25 | 341901-1 | 57.63 | | |
| 175096-2 | 37 | 341902 | 33 | | |
| 175107 | 31 | 343901 | 41 | | |
| 175107-1 | 31 | 460185 | 67 | | |
| 175107-2 | 31 | 518210 | 31 | | |
| 175107-3 | 31 | 518250 | 49 | | |
| 175108 | 31 | 610210 | 31 | | |